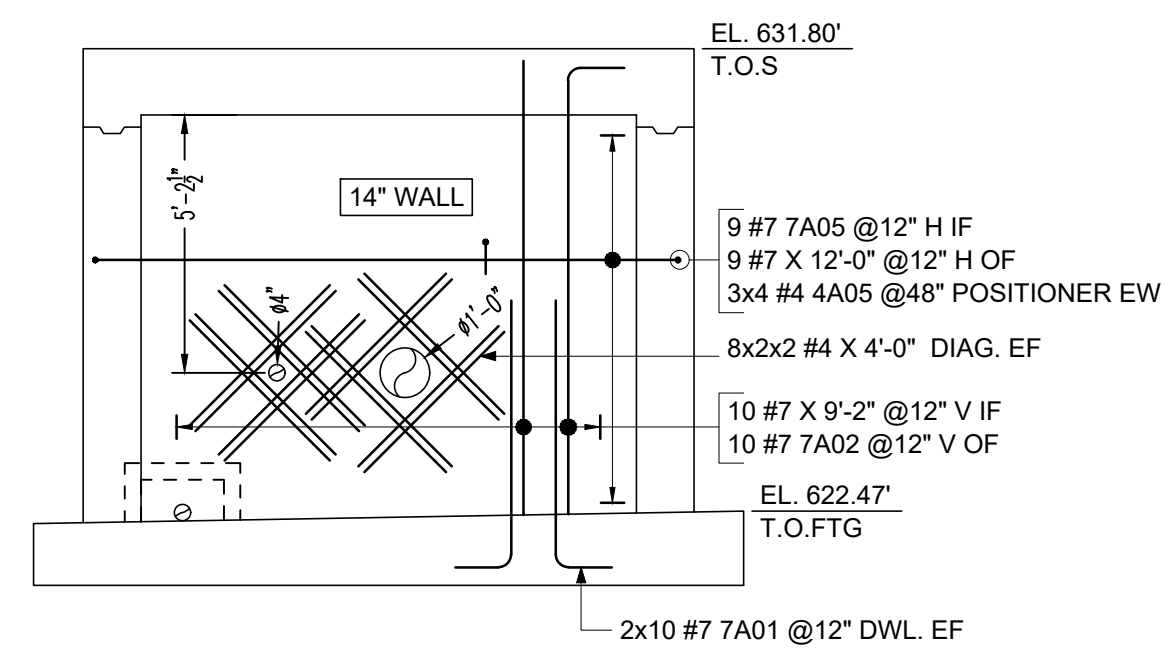
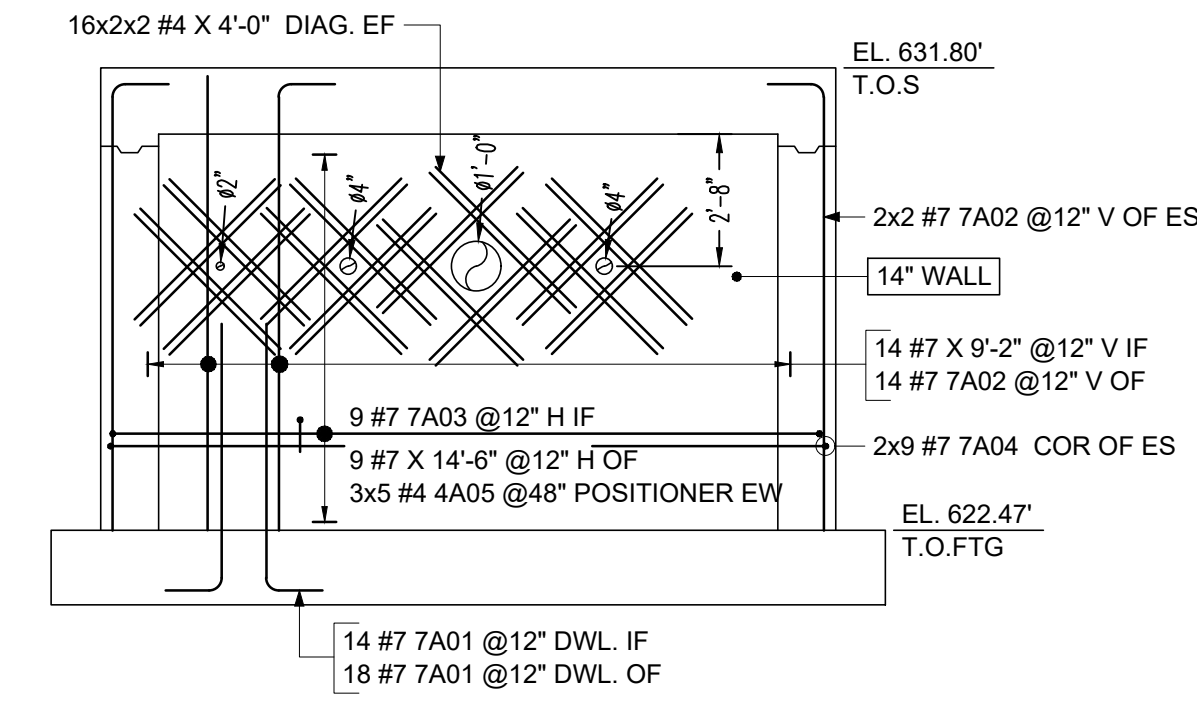


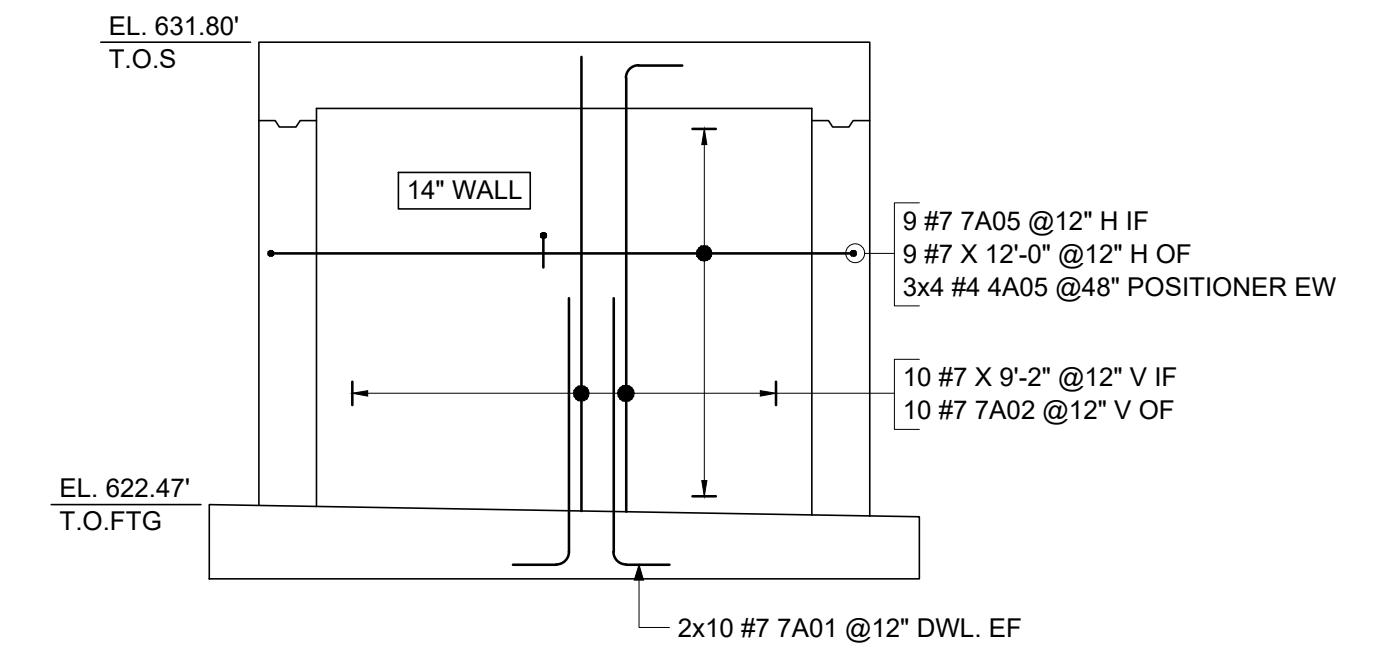
ROOF SLAB TOP BARS



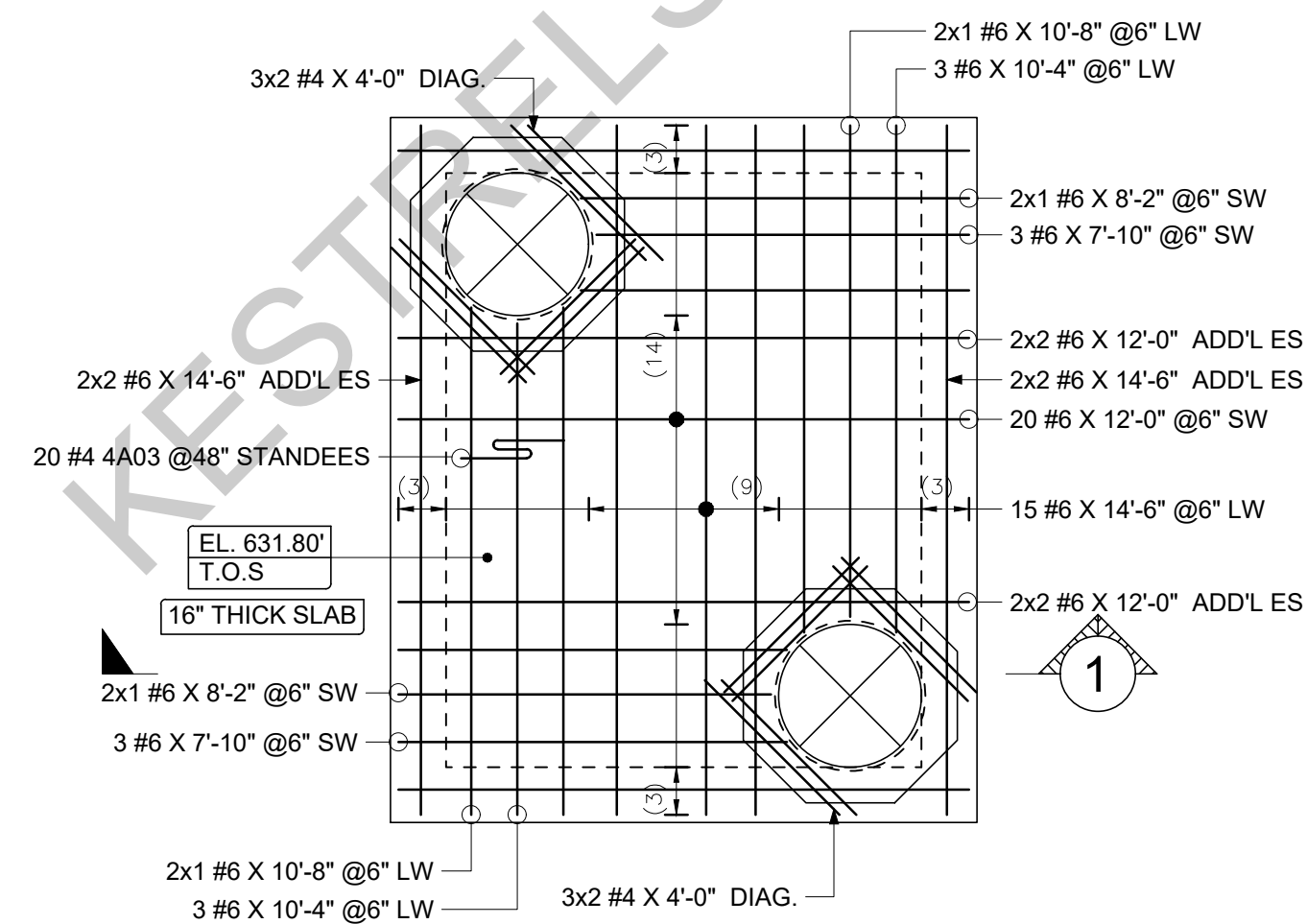
ELEVATION A
SCALE: 1/4" = 1'-0"
REF: S200



ELEVATION B
SCALE: 1/4" = 1'-0"
REF: S200



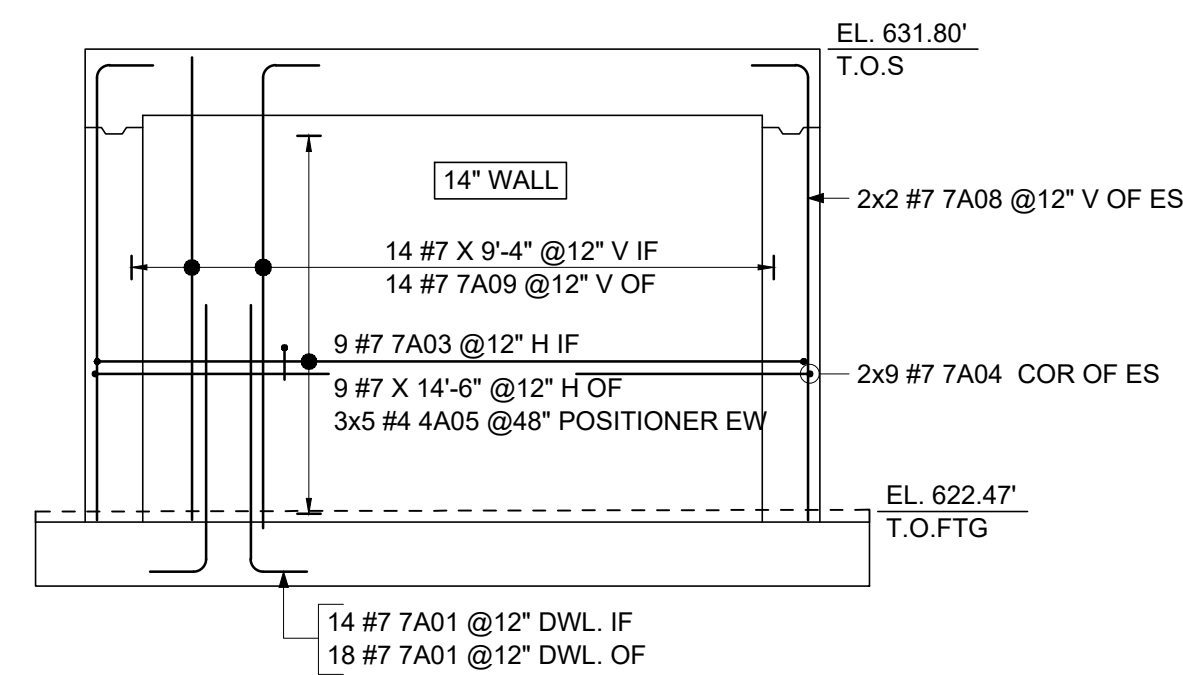
ELEVATION C
SCALE: 1/4" = 1'-0"
REF: S200



ROOF SLAB BOTTOM BARS

MANHOLE MH-S1-420 REINF. DETAILS

Scale - 1/4" = 1'-0"
REF: S200

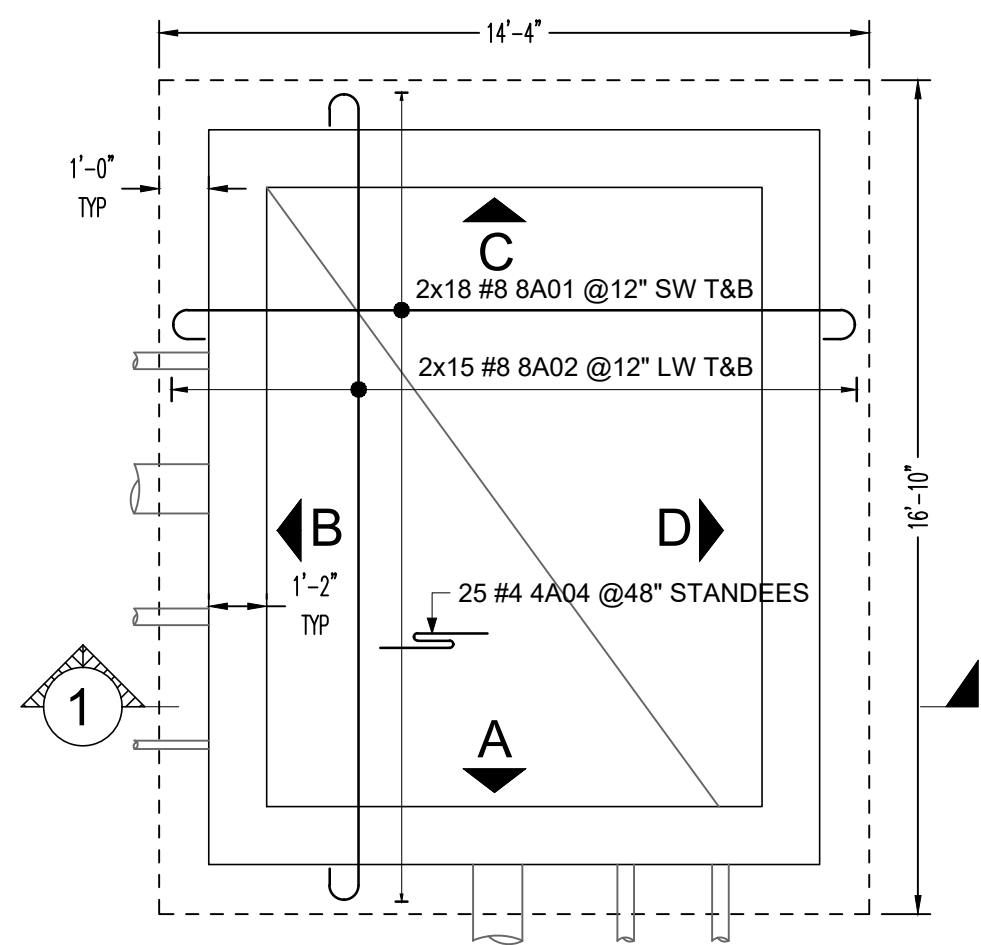


ELEVATION D
SCALE: 1/4" = 1'-0"
REF: S200

Drawing Sheet: R-01

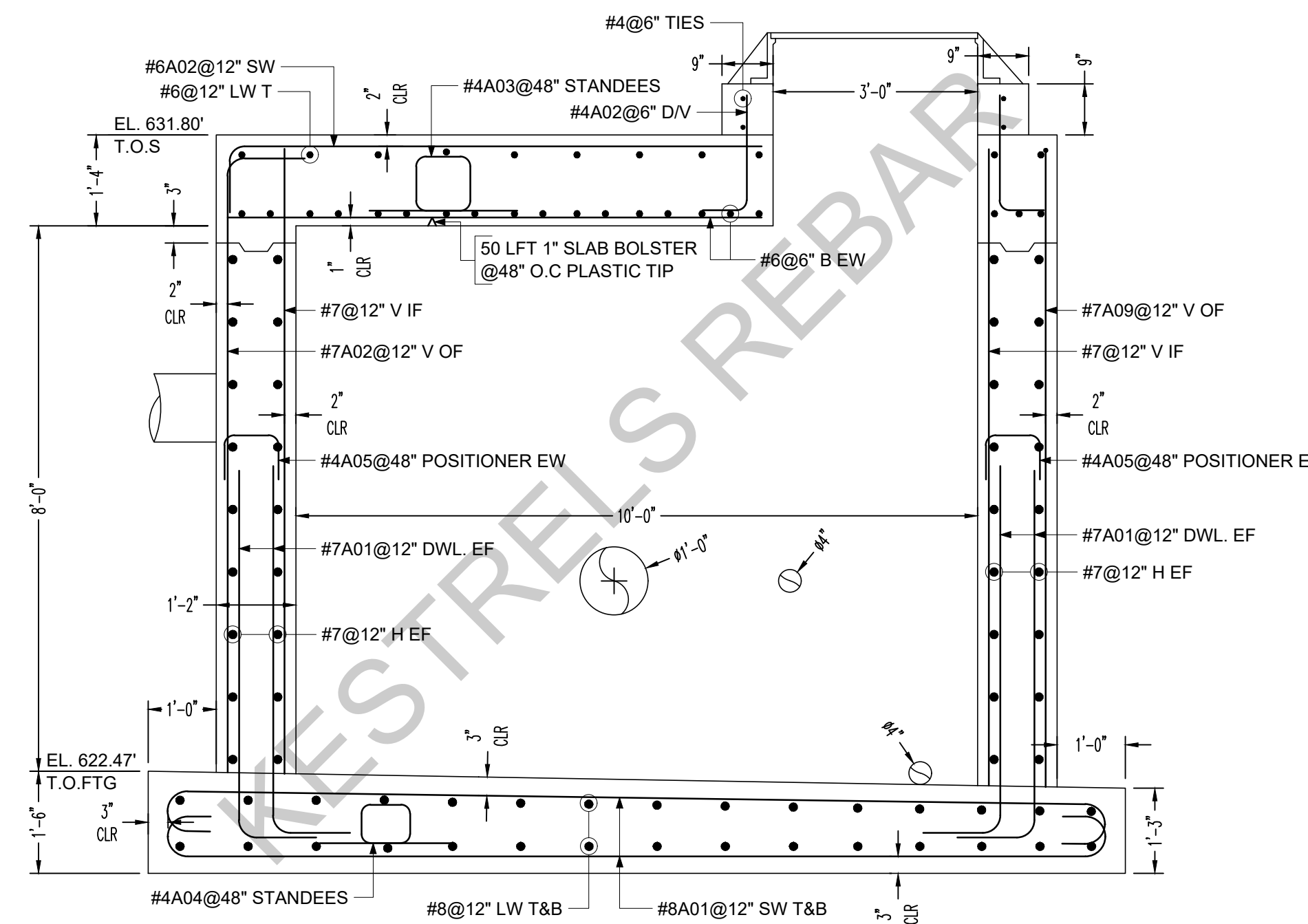
Bar Mark	Qty	Size	Total Length	Type	W'	W''	W'''	W''''	W'''''	W''''''	W'''''''	W''''''''	W'''''''''	W''''''''''	W'''''''''
6A01	4	#4	14'-1 8/16"	13											
6A02	48	#4	2'-4 8/16"	2	0'-8"	1'-8 8/16"									
6A03	20	#4	5'-6 8/16"	25	1'-4"	0'-10 8/16"	0'-10"	0'-10 1/4"	1'-4"	0'-10"	0'-5"				
6A04	25	#4	5'-2 8/16"	25	1'-4"	0'-8"	0'-10"	0'-8"	1'-4"	0'-8"	0'-4"				
6A05	54	#4	2'-2 8/16"	2	0'-8"	0'-10"									
6A01	18	#6	14'-0"	2	1'-0"	12'-0"									
6A02	4	#6	8'-10"	2	1'-0"	7'-10"									
6A03	13	#6	16'-6"	2	1'-0"	14'-6"									
6A04	4	#6	11'-4"	2	1'-0"	10'-4"									
7A01	184	#7	9'-2"	2	1'-2"	5'-5"									
7A02	38	#7	10'-2 1/2"	2	1'-2"	9'-9 1/2"									
7A03	18	#7	16'-8"	2	1'-2"	14'-4"									
7A04	36	#7	9'-8"	17	4'-3"	4'-3"									
7A05	18	#7	14'-2"	2	1'-2"	11'-10"									
7A06	4	#7	10'-4 8/16"	2	1'-2"	9'-2 8/16"									
7A09	14	#7	10'-6 8/16"	2	1'-2"	9'-4 8/16"									
8A01	36	#8	15'-8"	1	0'-11"	13'-10"				0'-11"	0'-8"				
8A02	30	#8	18'-2"	1	0'-11"	16'-4"				0'-8"					

Legend: T3, C=Circumference, 2, Hook G optional, 25, Standee (isometric view), 17, 1, Hook G optional.



BASE SLAB
MANHOLE MH-S1-420 REINF. DETAILS

Scale - 1/4" = 1'-0"
REF: S200



SECTION 1
SCALE: 1/2" = 1'-0"
REF: S200

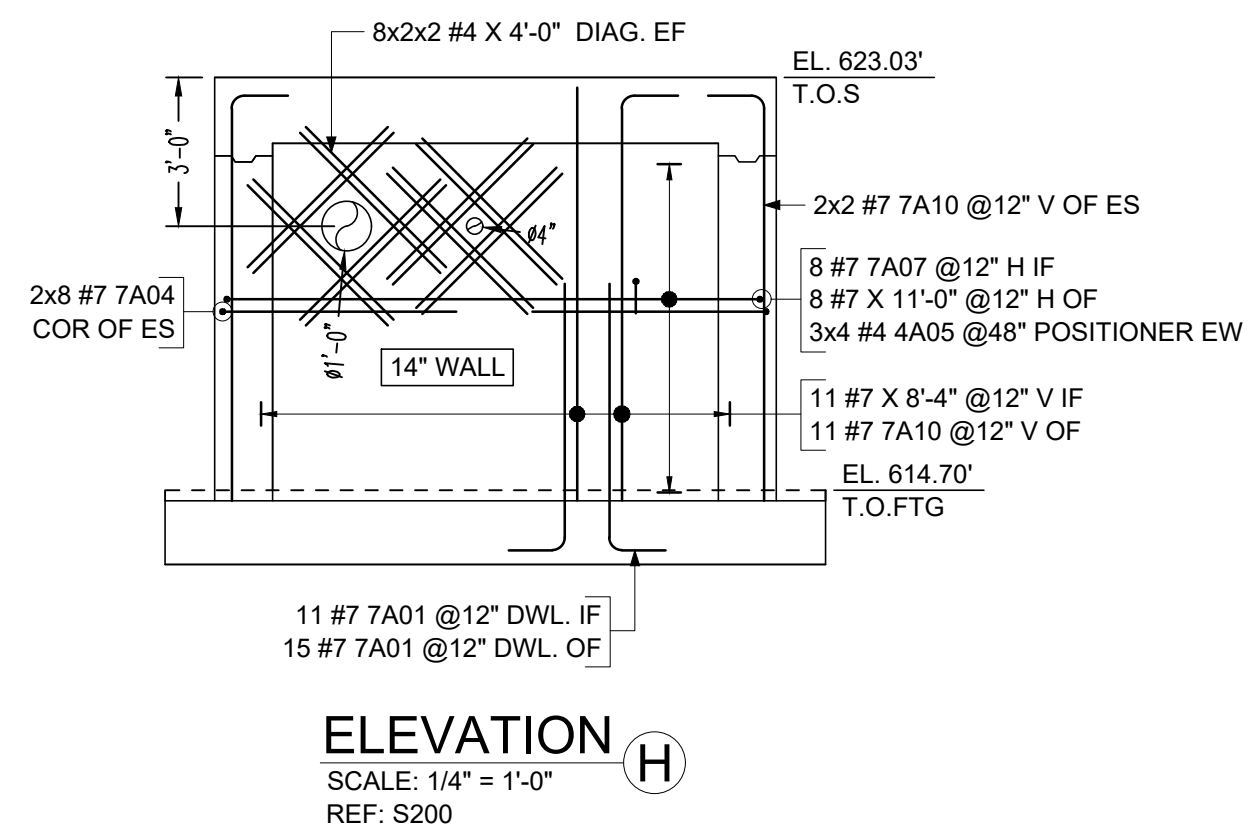
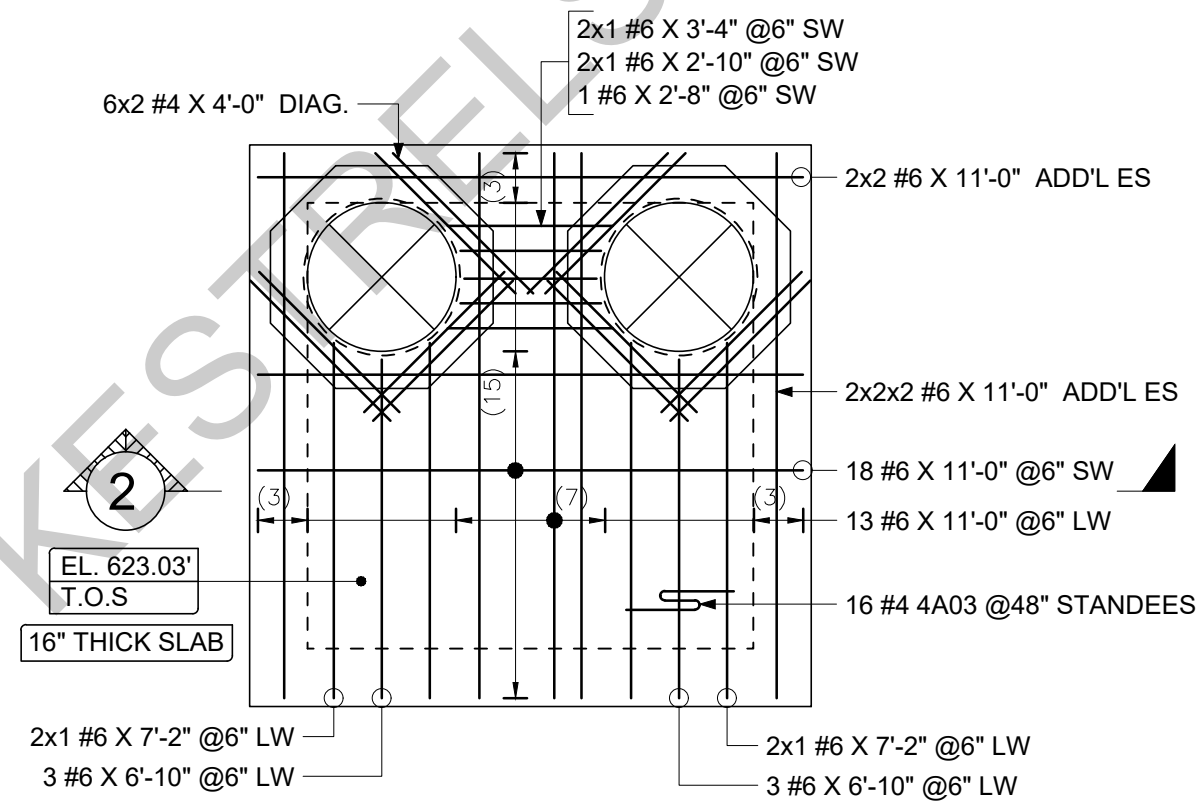
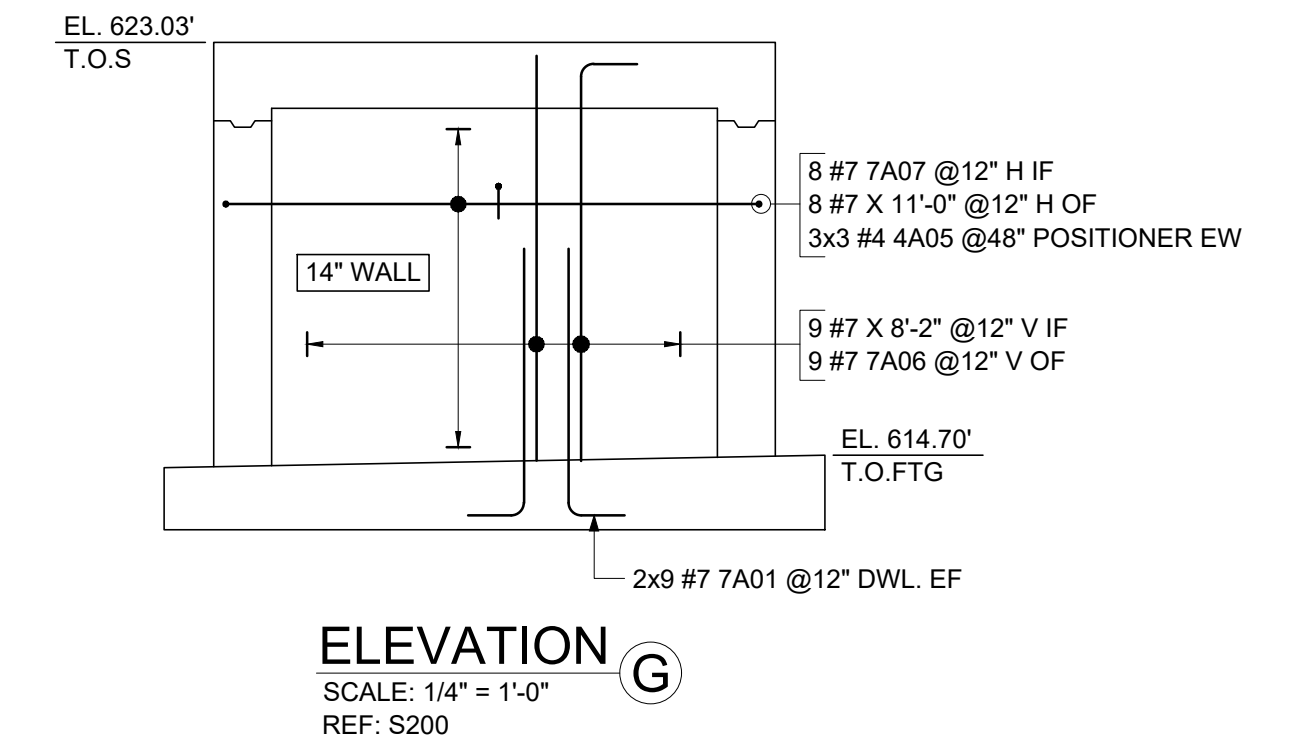
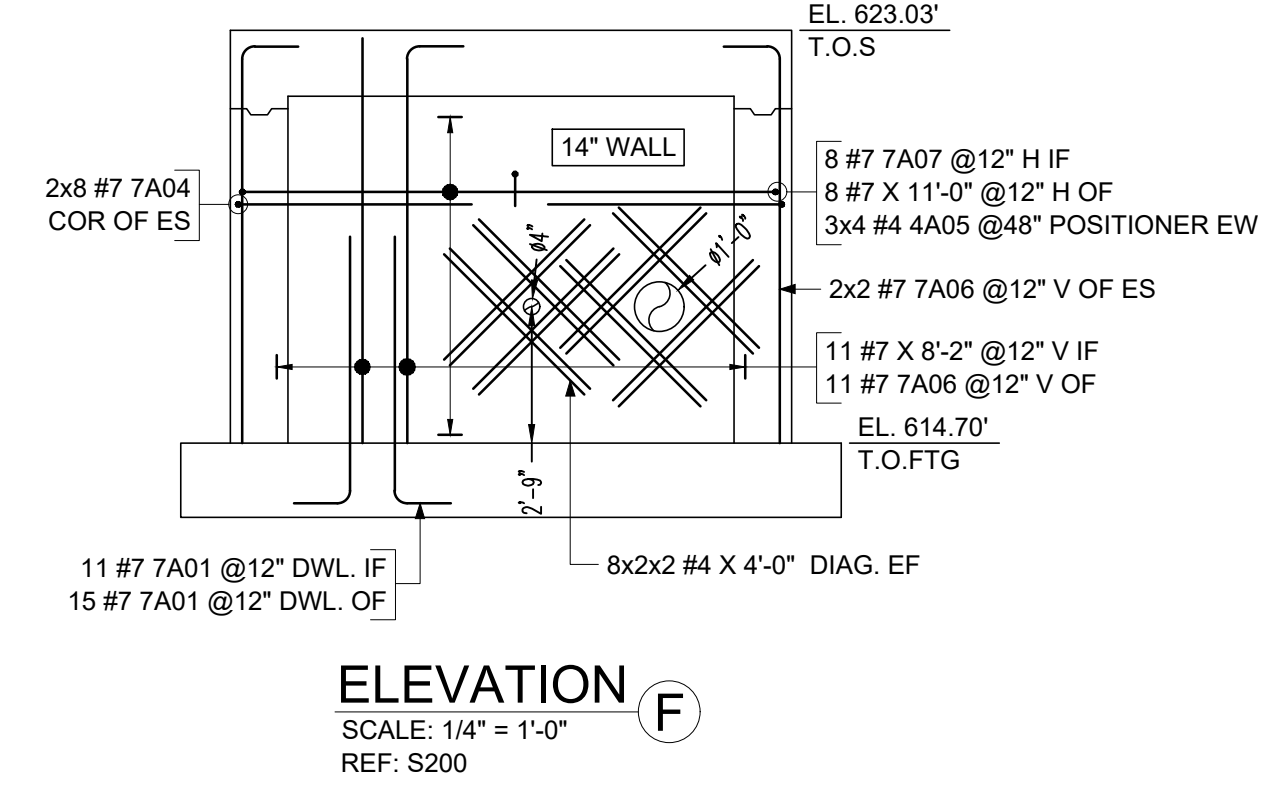
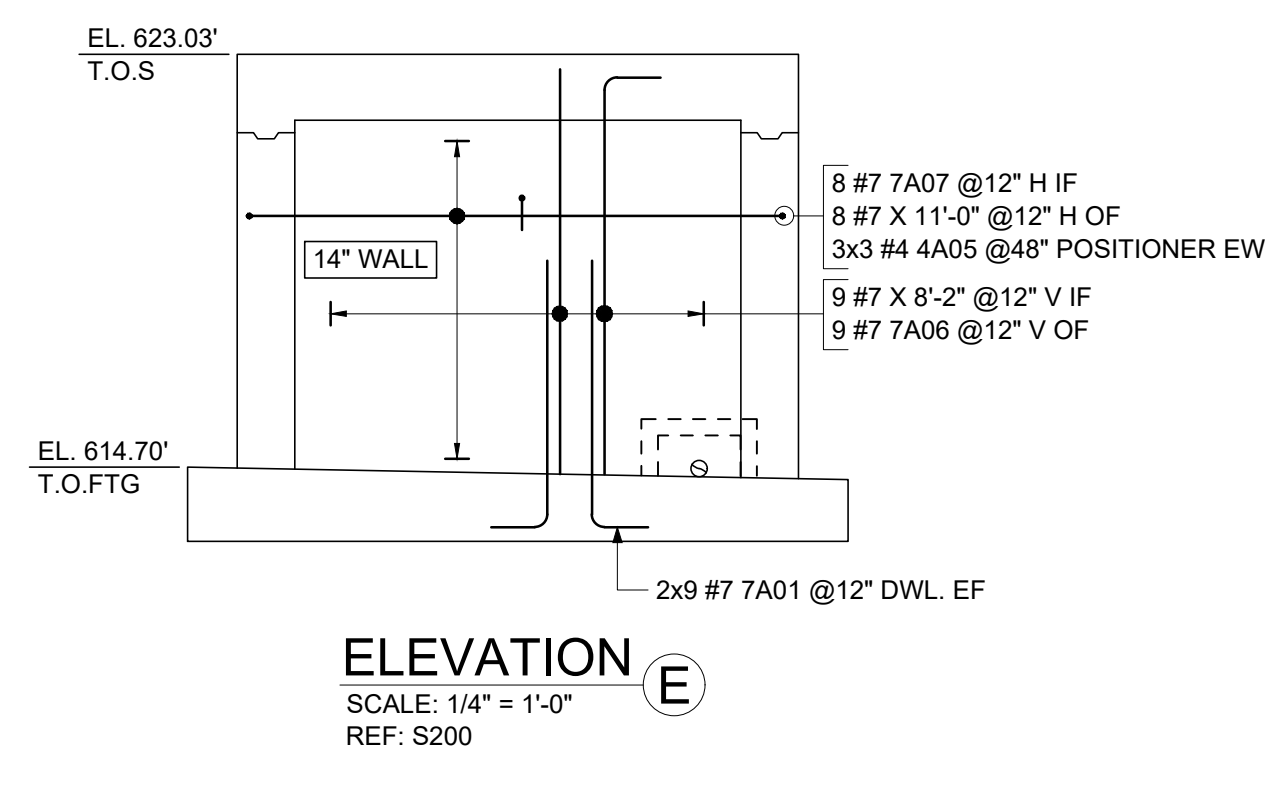
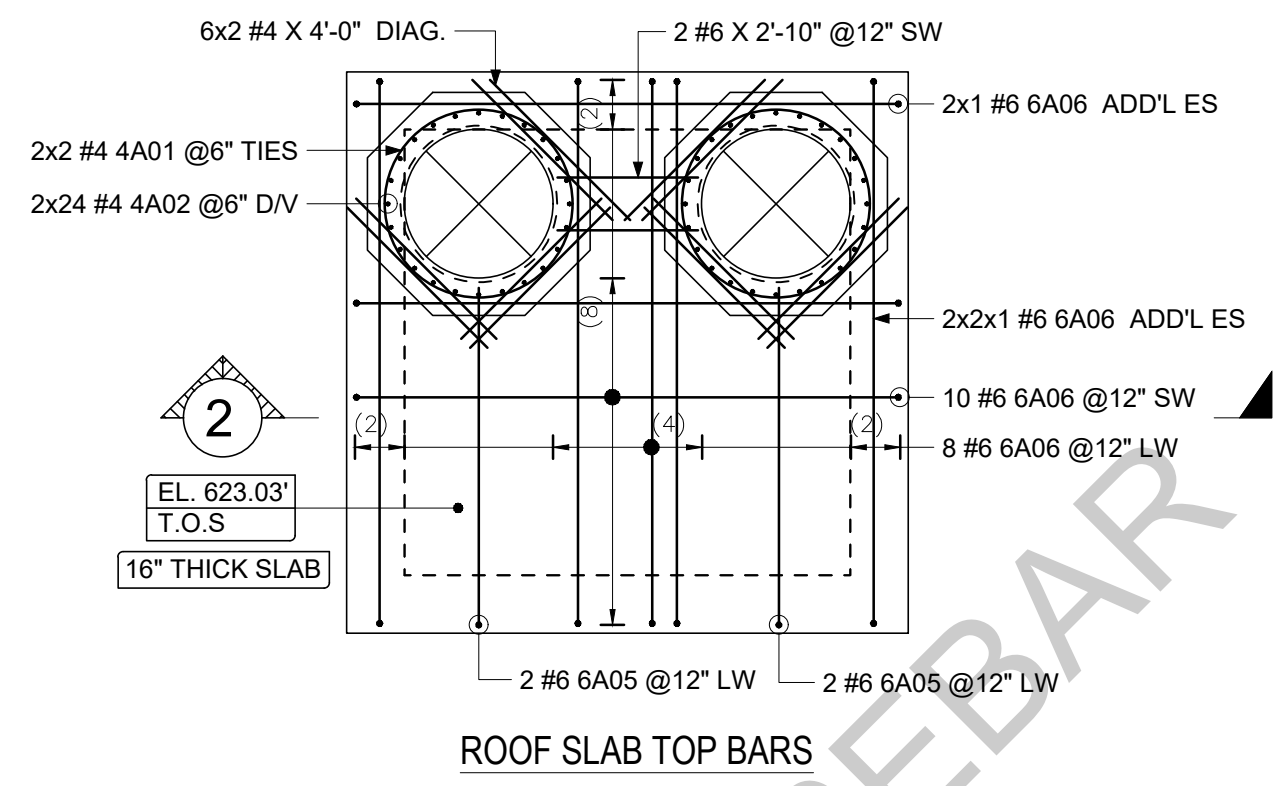
ABBREVIATIONS

TOP	T
BOTTOM	B
TOP&BOTTOM	T&B
ADDITIONAL	ADDL
CORNER BAR	COR.
VERTICAL	V
HORIZONTAL	H
EACH WAY	EW
EACH FACE	EF
INNER FACE	IF
OUTER FACE	OF
EACH SIDE	ES
DOWEL	DWL
DOWEL/VERTICAL	D/V
LONG WAY BAR	LW
SHORT WAY BAR	SW

NOTES:-

- TYPICAL CLEARANCES
- FOOTING
 - A) TOP - 2"
 - B) SIDE - 3"
 - C) BOTTOM - 3"
- WALL
 - D) SIDE - 2"
 - E) END - 2"
- ROOF SLAB
 - F) TOP - 2"
 - C) BOTTOM - 1"
- PROVIDE FIELD CUT AS REQUIRED LOCATIONS
- BARS TO BE PLACED AT EQUAL SPACING U.O.N.
- A/E/C PLEASE VERIFY THE ALL CLOUDED ITEMS

ALL BARS ARE ASTM A615 GRADE 60 BLACK



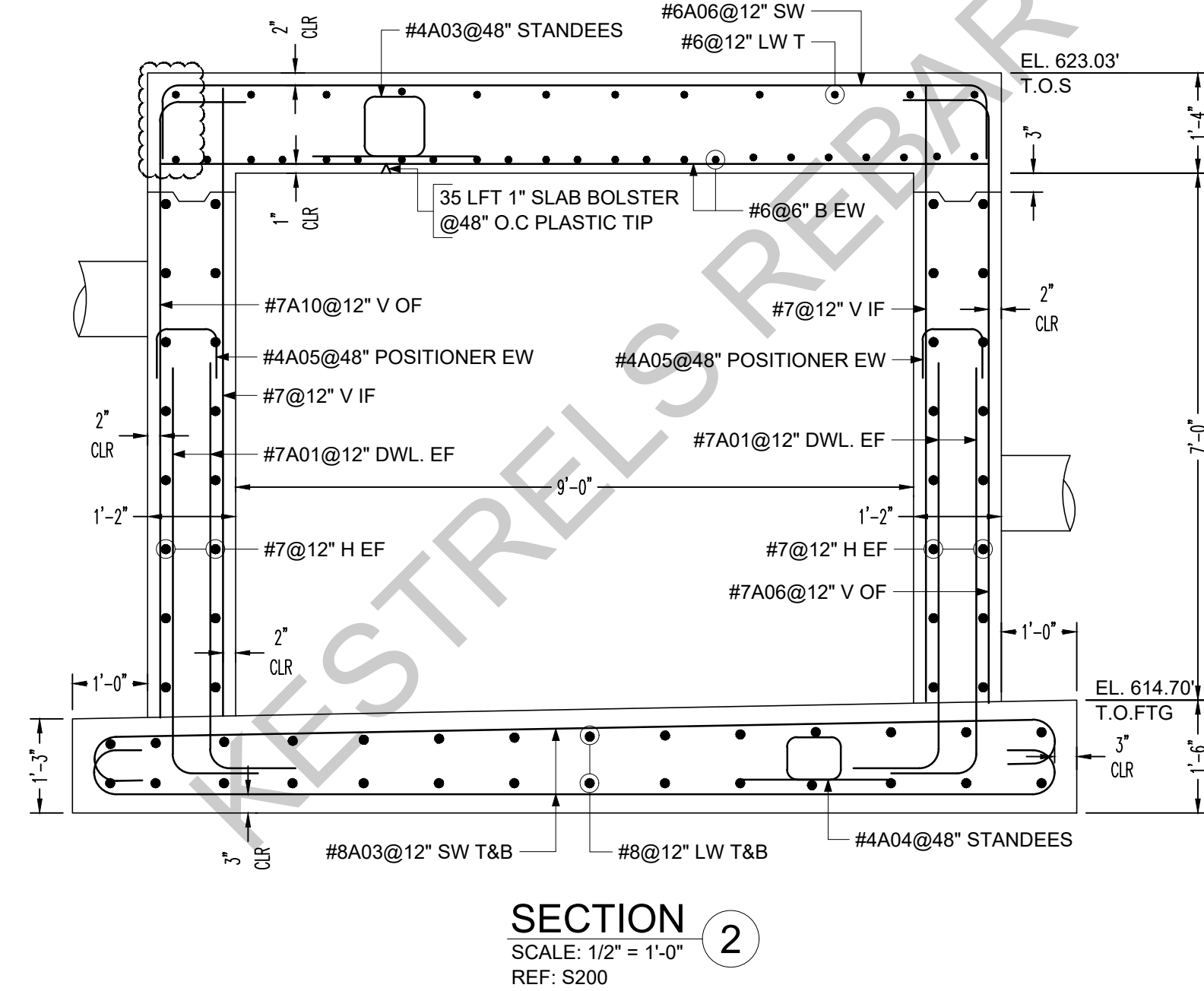
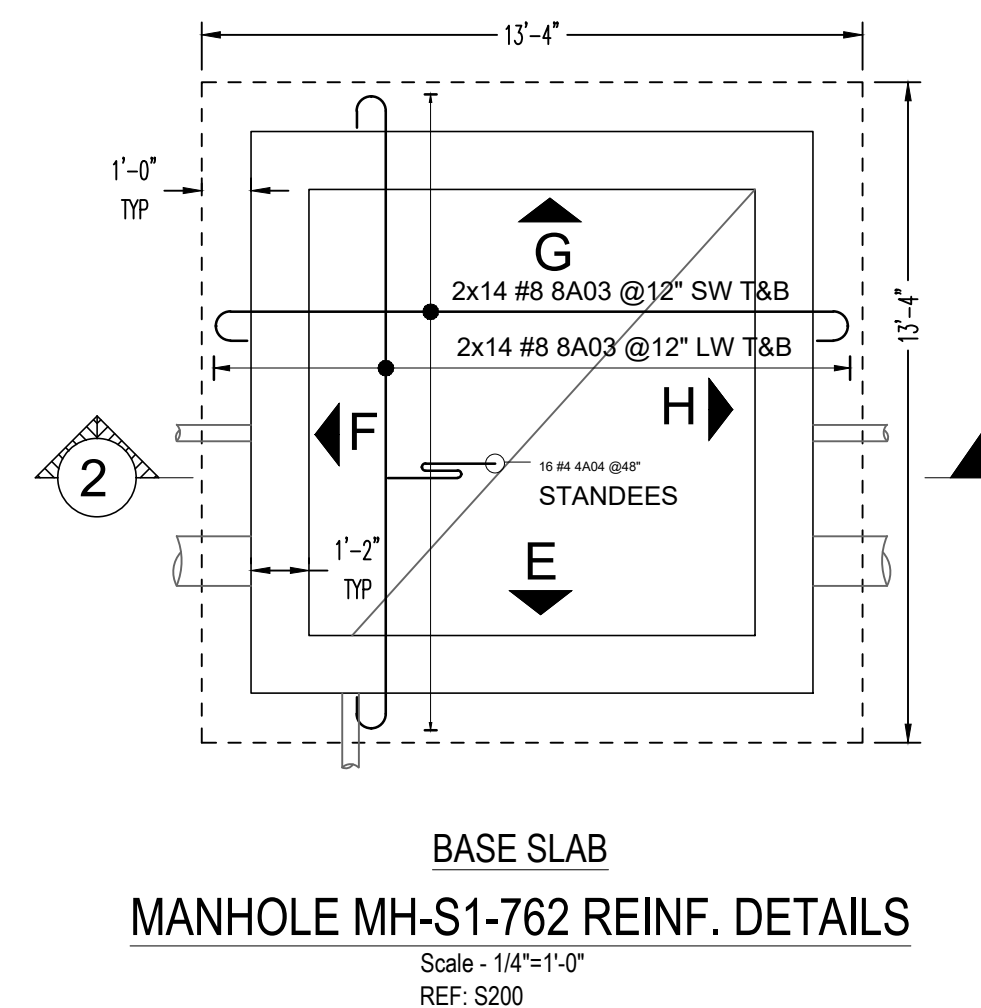
Drawing Sheet: R-01A

Bar Mark	Qty	Size	Total Length	Type	X	Y	Z	W	V	T	U	V	W	X	Y	Z	
4A01	4	#4	14'-1 1/2"	13				12'-0 1/2"									
4A02	48	#4	2'-4 1/2"	2	0'-8"	1'-8 1/2"											
4A03	16	#4	5'-6 1/2"	25	1'-6"	0'-10 1/2"	0'-10 1/2"	0'-10 1/2"	1'-6"								
4A04	16	#4	5'-2 1/2"	25	1'-6"	0'-8"	0'-10 1/2"	0'-8"	1'-6"								
4A05	48	#4	2'-2 1/2"	2	0'-8"	0'-10 1/2"											
6A05	4	#6	7'-10 1/2"	2	1'-0"	6'-10 1/2"											
6A06	24	#6	13'-0 1/2"	2	1'-0"	11'-0 1/2"											
7A01	88	#7	6'-7 1/2"	2	1'-2"	5'-5 1/2"											
7A04	32	#7	9'-5 1/2"	17	4'-9"	4'-9"											
7A06	32	#7	9'-2 1/2"	2	1'-2"	8'-0 1/2"											
7A07	32	#7	13'-2 1/2"	2	1'-2"	10'-10 1/2"											
7A10	15	#7	9'-4 1/2"	2	1'-2"	8'-2 1/2"											
8A03	58	#8	14'-8 1/2"	1	0'-11"	12'-10 1/2"											

Standee (isometric view)

MANHOLE MH-S1-762 REINF. DETAILS
Scale: 1/4"=1'-0"
REF: S200

ELEVATION H
SCALE: 1/4" = 1'-0"
REF: S200



BASE SLAB
MANHOLE MH-S1-762 REINF. DETAILS
Scale: 1/4"=1'-0"
REF: S200

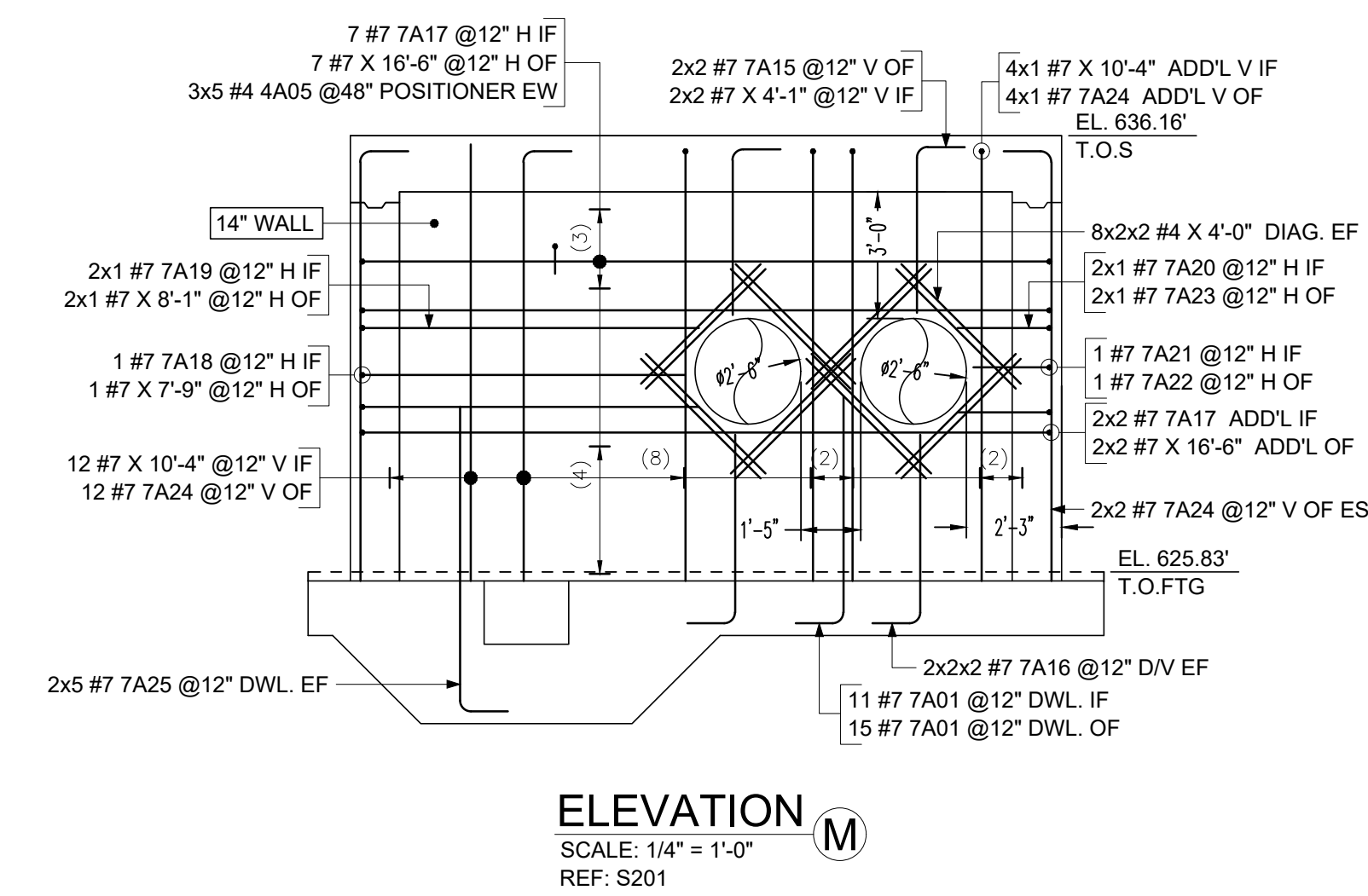
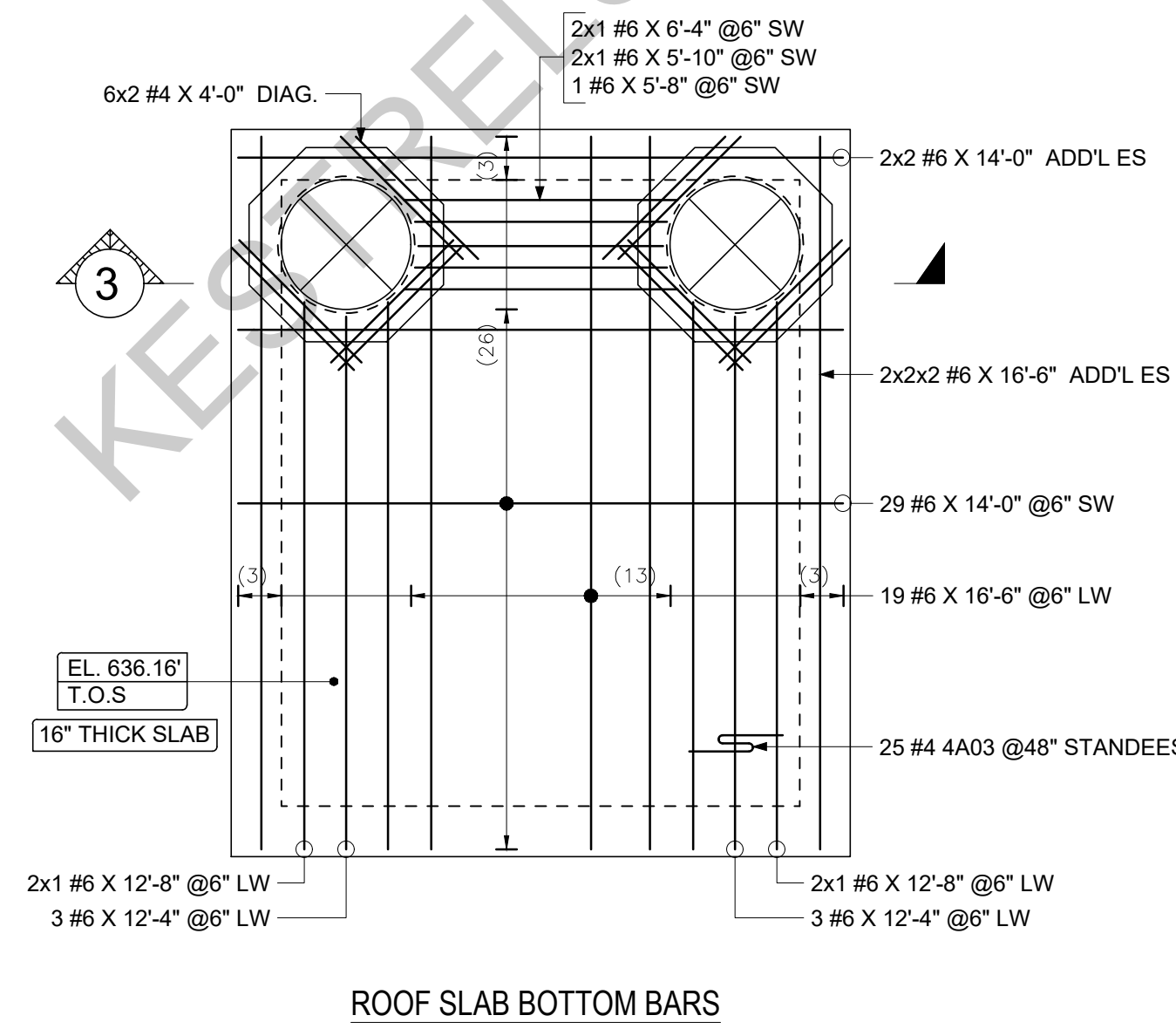
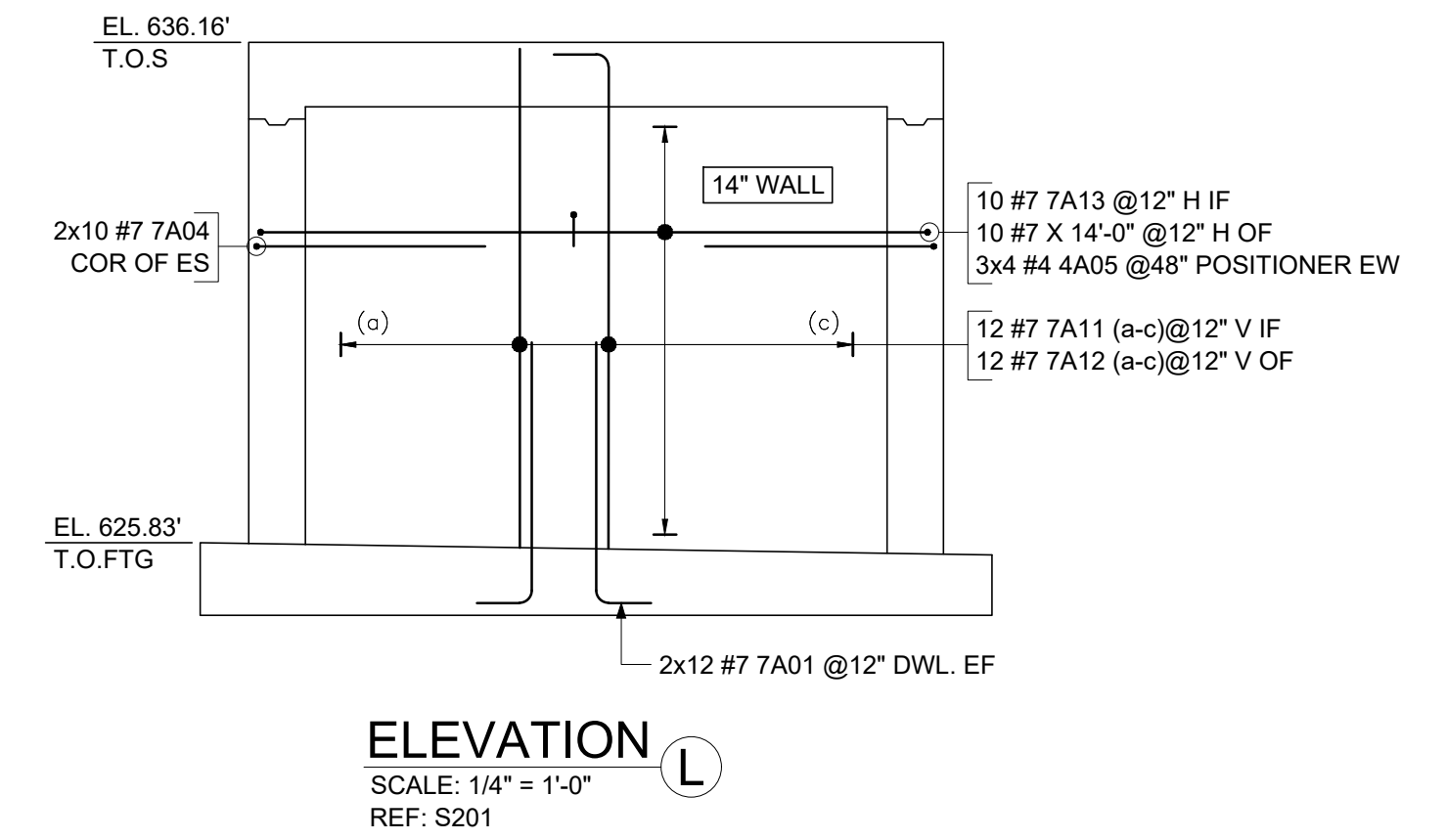
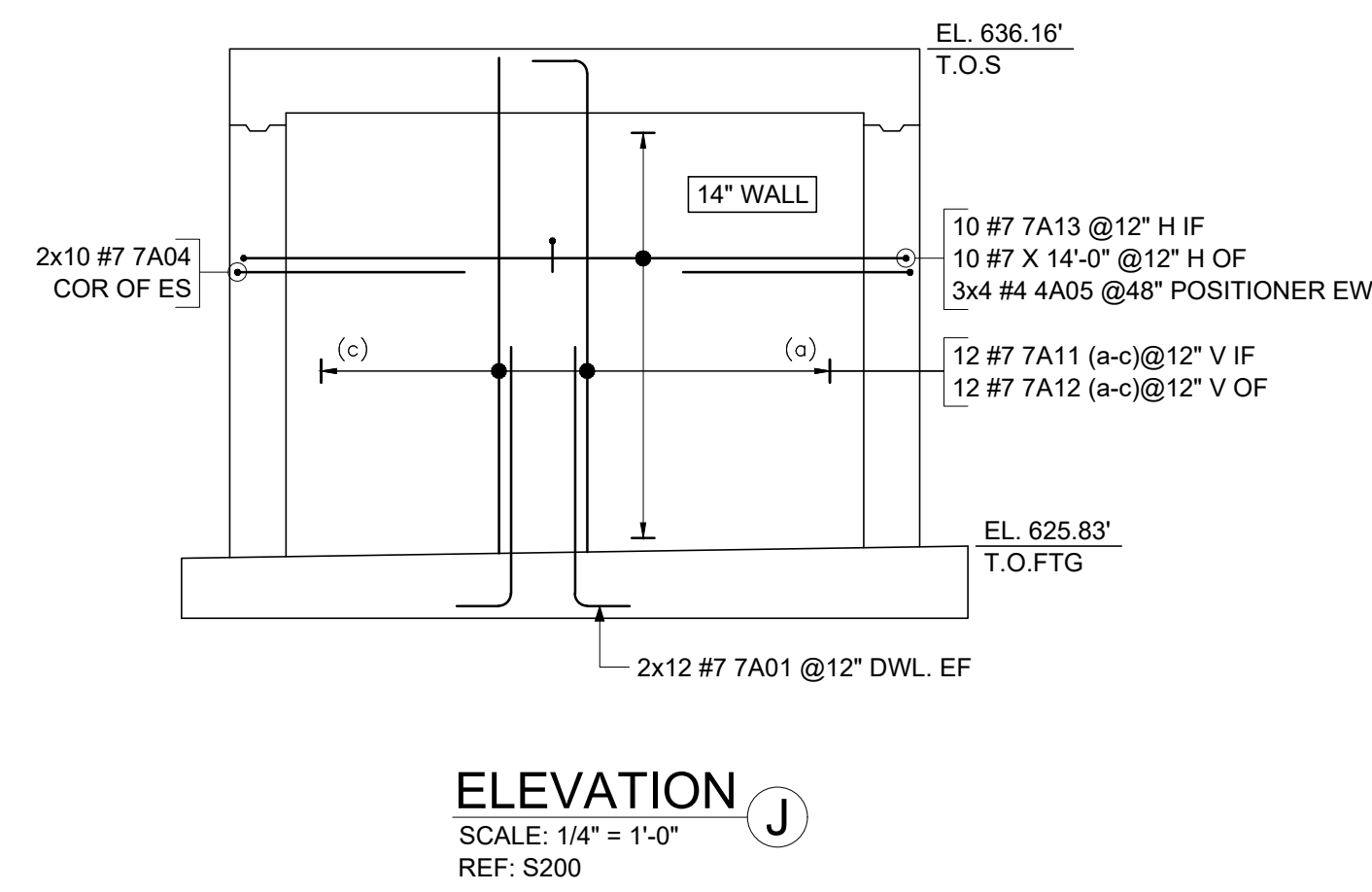
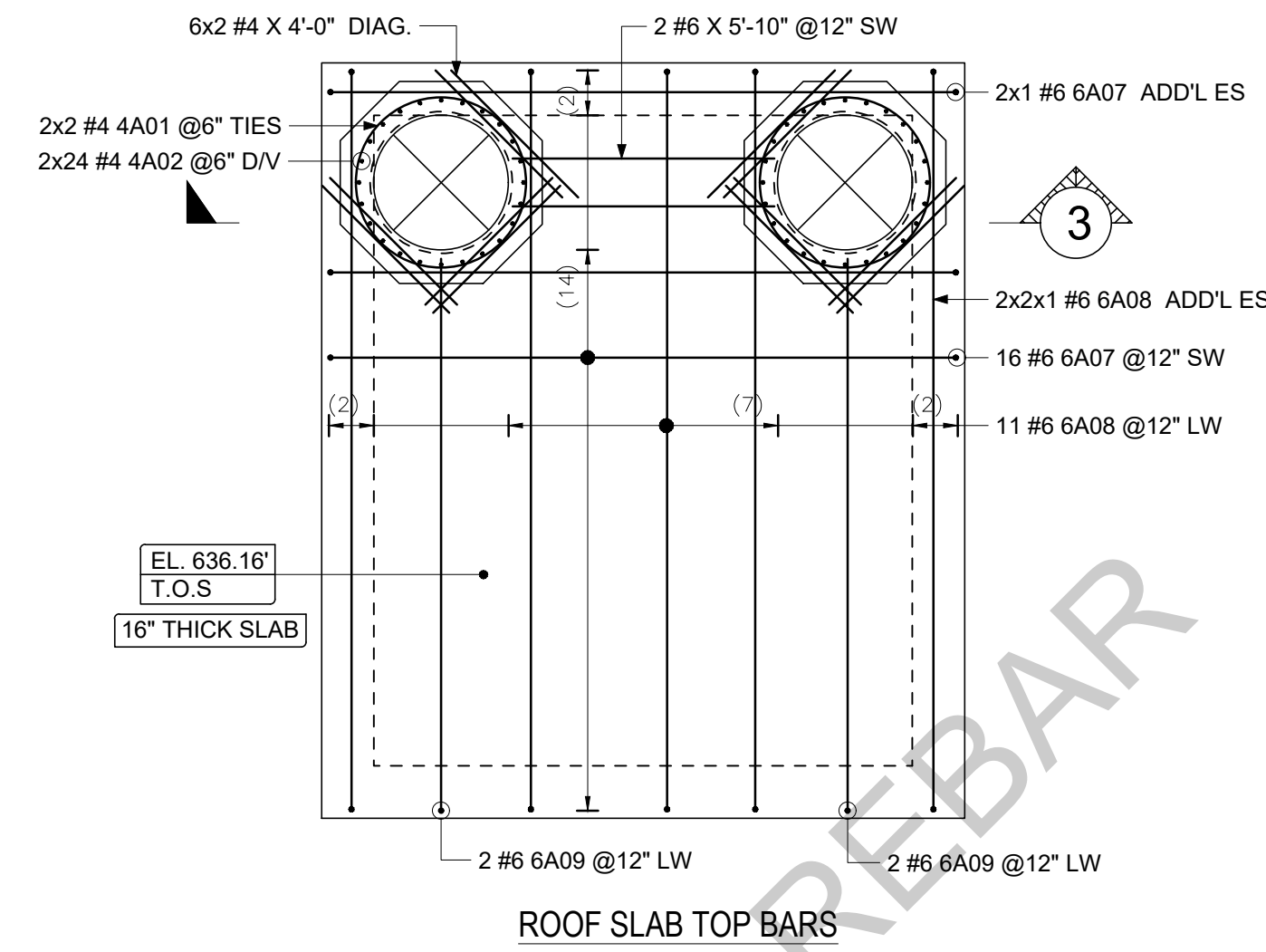
SECTION 2
SCALE: 1/2" = 1'-0"
REF: S200

ABBREVIATIONS

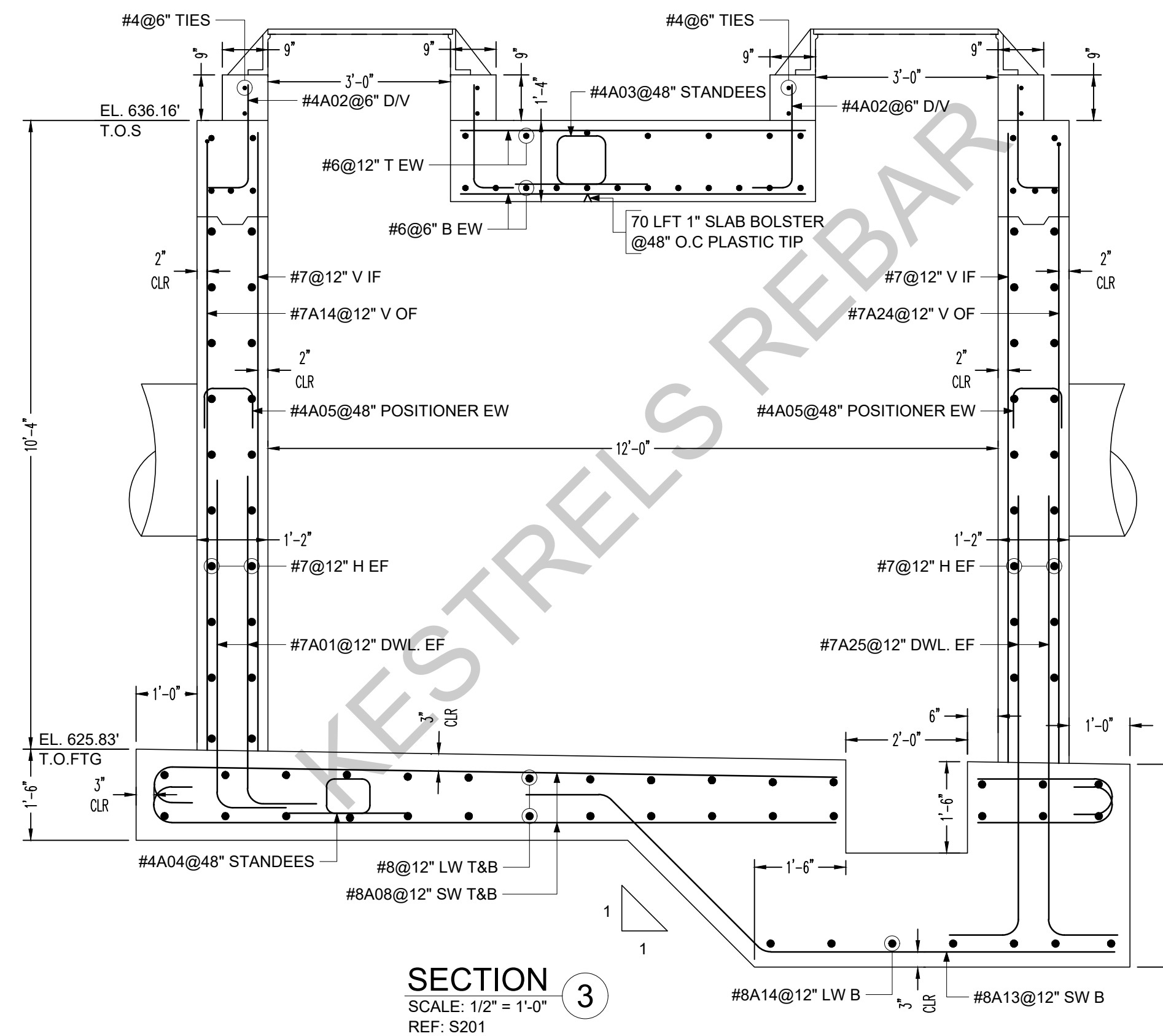
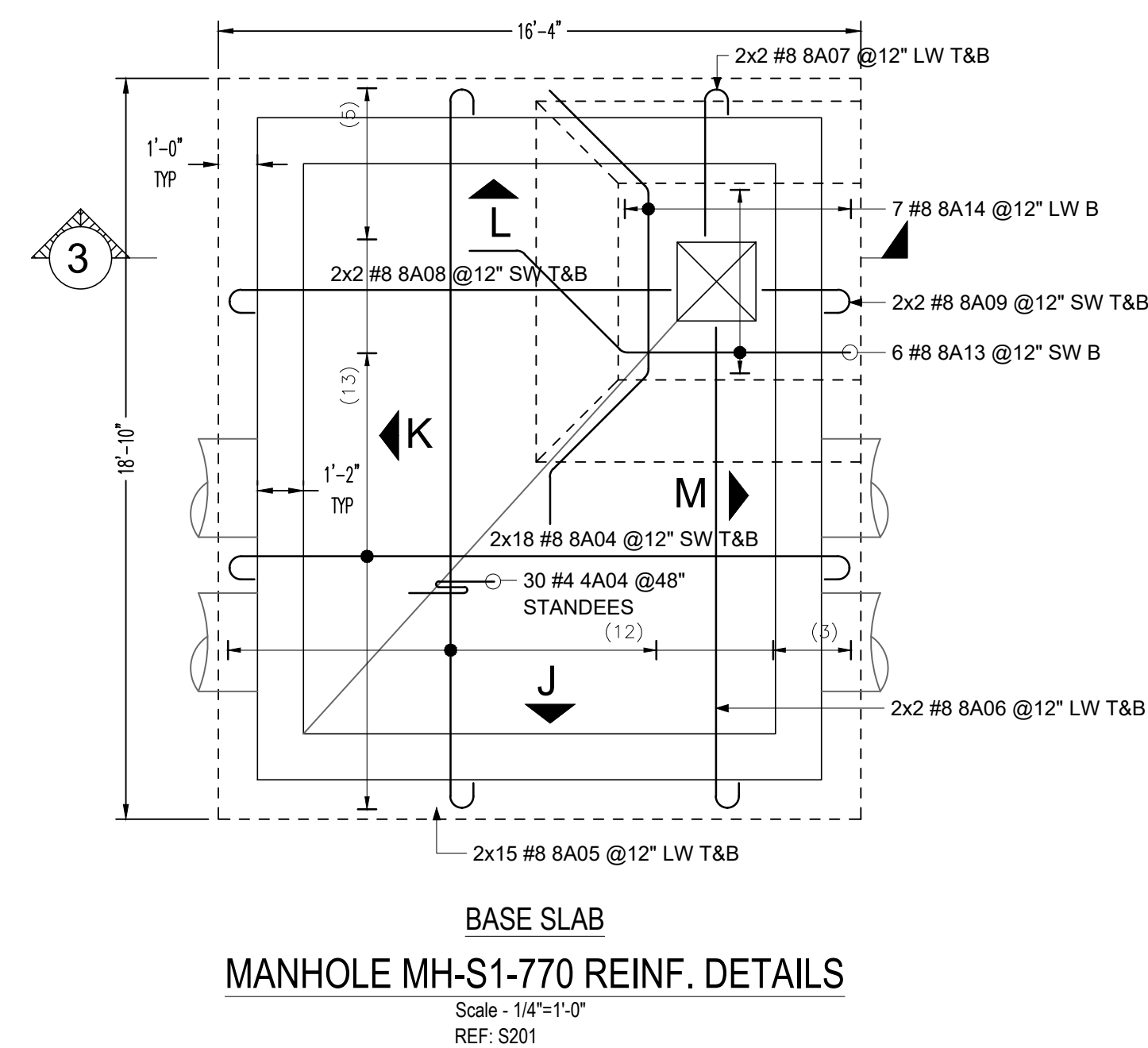
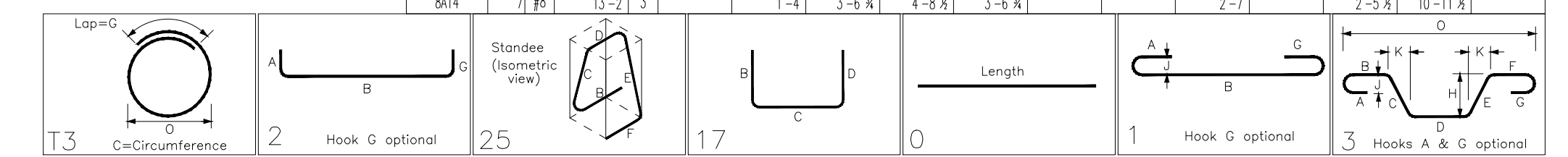
TOP	T
BOTTOM	B
TOP&BOTTOM	T&B
ADDITIONAL	ADDL
CORNER BAR	COR.
VERTICAL	V
HORIZONTAL	H
EACH WAY	EW
EACH FACE	EF
INNER FACE	IF
OUTER FACE	OF
EACH SIDE	ES
DOWEL	DWL
DOWEL/VERTICAL	D/V
LONG WAY BAR	LW
SHORT WAY BAR	SW

- NOTES:-
- TYPICAL CLEARANCES
FOOTING
A) TOP - 2"
B) SIDE - 3"
C) BOTTOM - 3"
WALL
D) SIDE - 2"
E) END - 2"
ROOF SLAB
F) TOP - 2"
C) BOTTOM - 1"
 - TILT HOOK TO ACCOMMODATE THE COVER, IF NEED
 - PROVIDE FIELD CUT AS REQUIRED LOCATIONS
 - BAR TO BE PLACED AT EQUAL SPACING U.O.N.
 - A/E/C PLEASE VERIFY THE ALL CLOUDED ITEMS

ALL BARS ARE ASTM A615 GRADE 60 BLACK

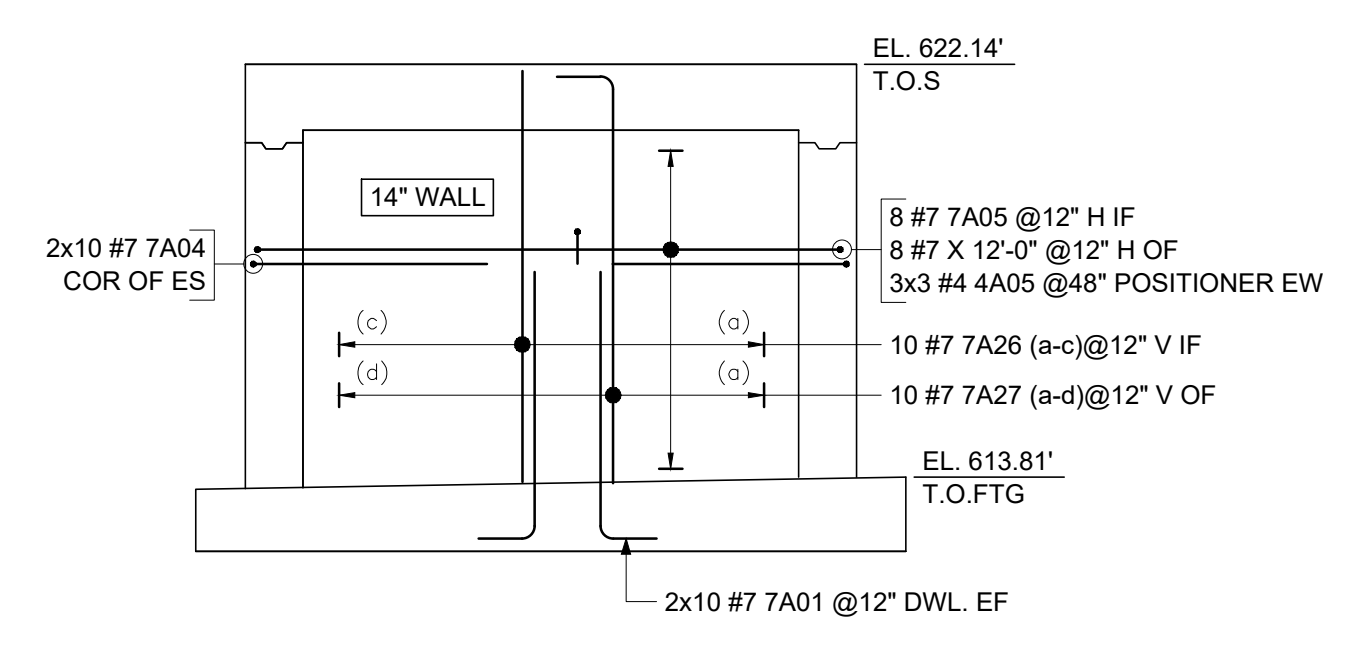
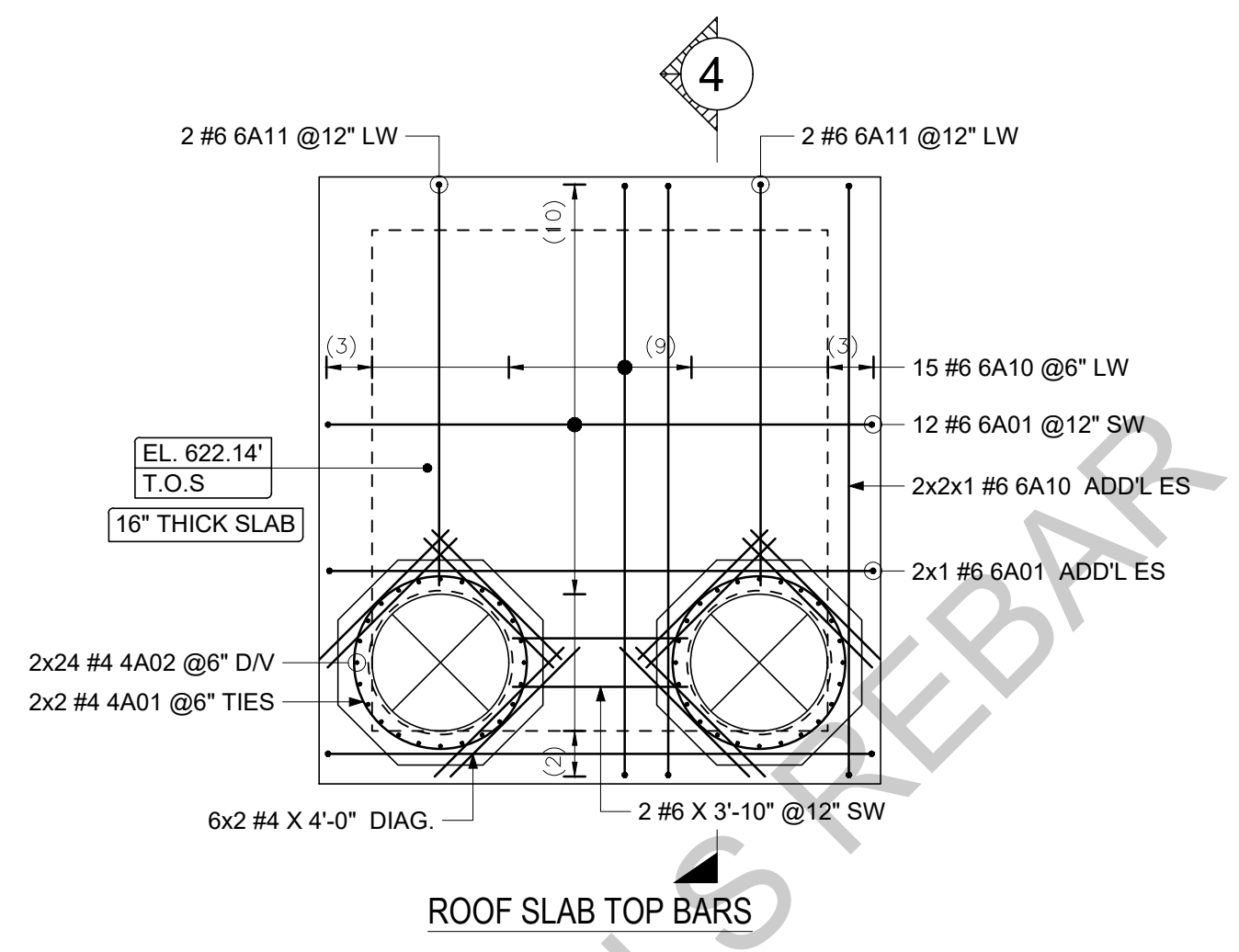


Drawing Sheet : R-01B		BAR LIST																
Bar Mark	Qty	Size	Total Length	Type	X'	Y'	Z'	X''	Y''	Z''	X'''	Y'''	Z'''	X''''	Y''''	Z''''		
4A01	4	#4	14'-1 3/4"	13				12'-0 3/4"							2'-1"			3'-10"
4A02	48	#4	2'-4 3/4"	2	0'-8"	1'-8 3/4"												
4A03	25	#4	5'-6 3/4"	25	1'-6"	0'-10 3/4"	0'-10"	0'-10 3/4"	1'-6"	0'-10"								
4A04	33	#4	5'-2 1/4"	25	1'-6"	0'-8"	0'-10"	0'-8"	1'-6"	0'-8"								
4A05	54	#4	2'-2 1/4"	2	0'-8"	0'-10"												
6A07	18	#6	16'-0"	2	1'-0"	14'-0"												
6A08	15	#6	18'-6"	2	1'-0"	16'-6"												
6A09	4	#6	15'-4"	2	1'-0"	12'-4"												
7A01	110	#7	6'-7"	2	1'-2"	5'-5"												
7A04	40	#7	9'-6"	17	4'-9"	4'-9"												
7A10	10	#7	10'-2"			10'-2"												
Varies To		7A11c	4	#7	10'-3"		10'-3"											
Varies To		7A12a	8	#7	11'-5"		1'-2"	10'-1"										
Varies To		7A12c	8	#7	11'-4 3/4"		1'-2"	10'-2 3/4"										
7A13	20	#7	16'-2"	2	1'-2"	15'-10"									1'-2"			
7A14	20	#7	11'-2 3/4"	2	1'-2"	10'-0 3/4"												
7A15	8	#7	5'-1 3/4"	2	1'-2"	3'-11 3/4"												
7A16	16	#7	3'-8"	2	1'-2"	4'-6"												
7A17	22	#7	16'-8"	2	1'-2"	16'-4"									1'-2"			
7A18	2	#7	8'-10"	2	1'-2"	7'-8"												
7A19	4	#7	9'-2"	2	1'-2"	8'-0"												
7A20	4	#7	3'-4 3/4"	2	1'-2"	2'-2 3/4"												
7A21	2	#7	3'-0"	2	1'-2"	1'-10"												
7A22	2	#7	6'-7"	17	1'-10"	4'-9"												
7A23	4	#7	7'-0"	17	2'-3"	4'-9"												
7A24	20	#7	11'-4 3/4"	2	1'-2"	10'-2 3/4"												
7A25	10	#7	8'-5"	2	1'-2"	7'-3"												
8A04	36	#8	17'-8"	1	0'-11"	15'-10"								0'-11"			0'-8"	
8A05	30	#8	20'-2"	1	0'-11"	18'-4"								0'-11"			0'-8"	
8A06	4	#8	13'-2"	1	0'-11"	12'-3"											0'-8"	
8A07	4	#8	4'-8"	1	0'-11"	3'-9"											0'-8"	
8A08	4	#8	12'-2"	1	0'-11"	11'-3"											0'-8"	
8A09	4	#8	5'-2"	1	0'-11"	2'-3"											0'-8"	
8A13	6	#8	10'-9 3/4"	3	1'-4"	3'-8"	5'-9 3/4"							2'-8"			2'-6 3/4"	9'-8"
8A14	7	#8	13'-2"	3	1'-4"	3'-6 3/4"	4'-8 3/4"	3'-6 3/4"						2'-7"			2'-5 3/4"	10'-11 3/4"

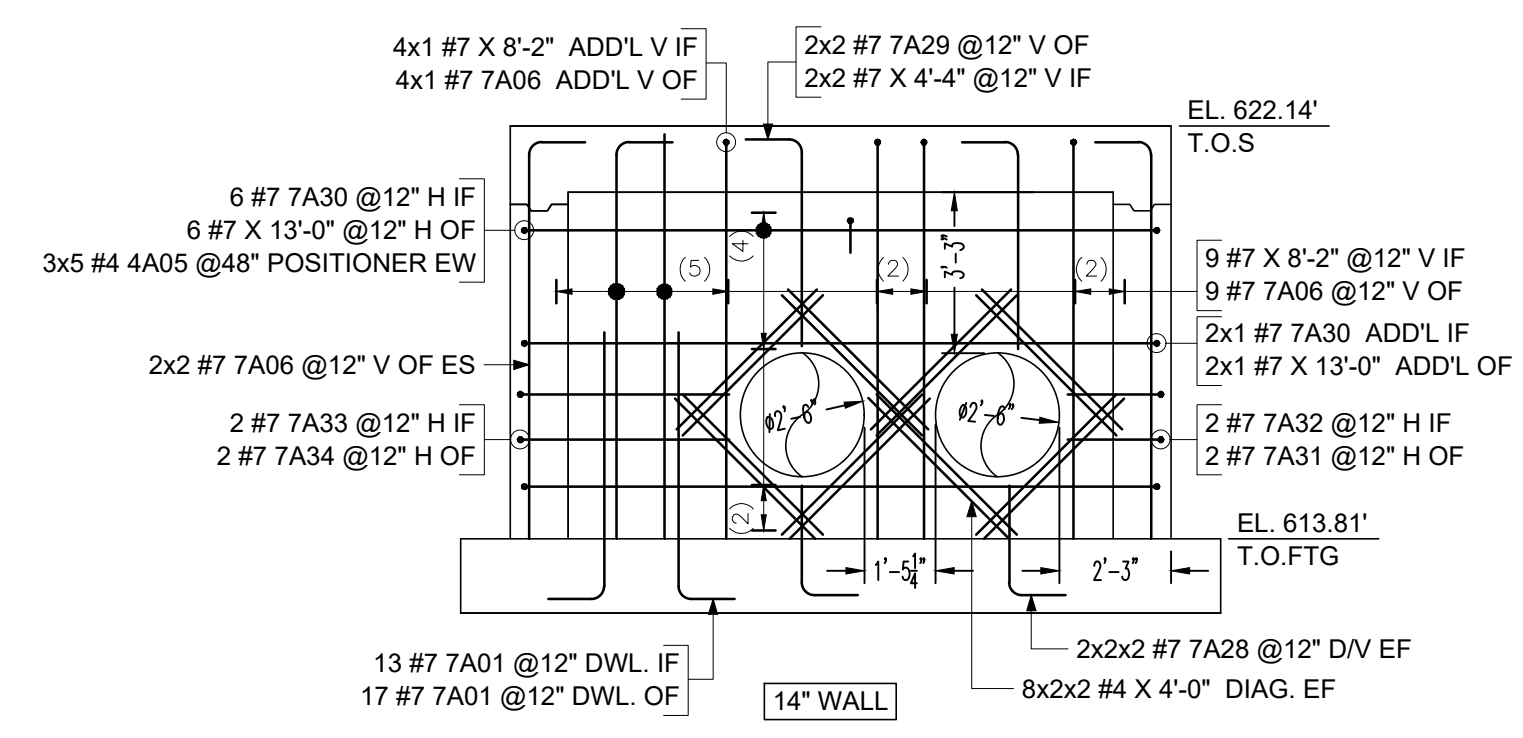


- ABBREVIATIONS**
- TOP T
 - BOTTOM B
 - TOP&BOTTOM T&B
 - ADDITIONAL ADDL
 - CORNER BAR COR.
 - VERTICAL V
 - HORIZONTAL H
 - EACH WAY EW
 - EACH FACE EF
 - INNER FACE IF
 - OUTER FACE OF
 - EACH SIDE ES
 - DOWEL DWL
 - DOWEL/VERTICAL D/V
 - LONG WAY BAR LW
 - SHORT WAY BAR SW
- NOTES:-**
- TYPICAL CLEARANCES FOOTING: A) TOP - 2", B) SIDE - 3", C) BOTTOM - 3"
 - WALL: D) SIDE - 2", E) END - 2"
 - ROOF SLAB: F) TOP - 2", C) BOTTOM - 1"
 - TILT HOOK TO ACCOMMODATE THE COVER, IF NEED
 - PROVIDE FIELD CUT AS REQUIRED LOCATIONS
 - BARS TO BE PLACED AT EQUAL SPACING U.O.N.
 - A/E/C PLEASE VERIFY THE ALL CLOUDED ITEMS

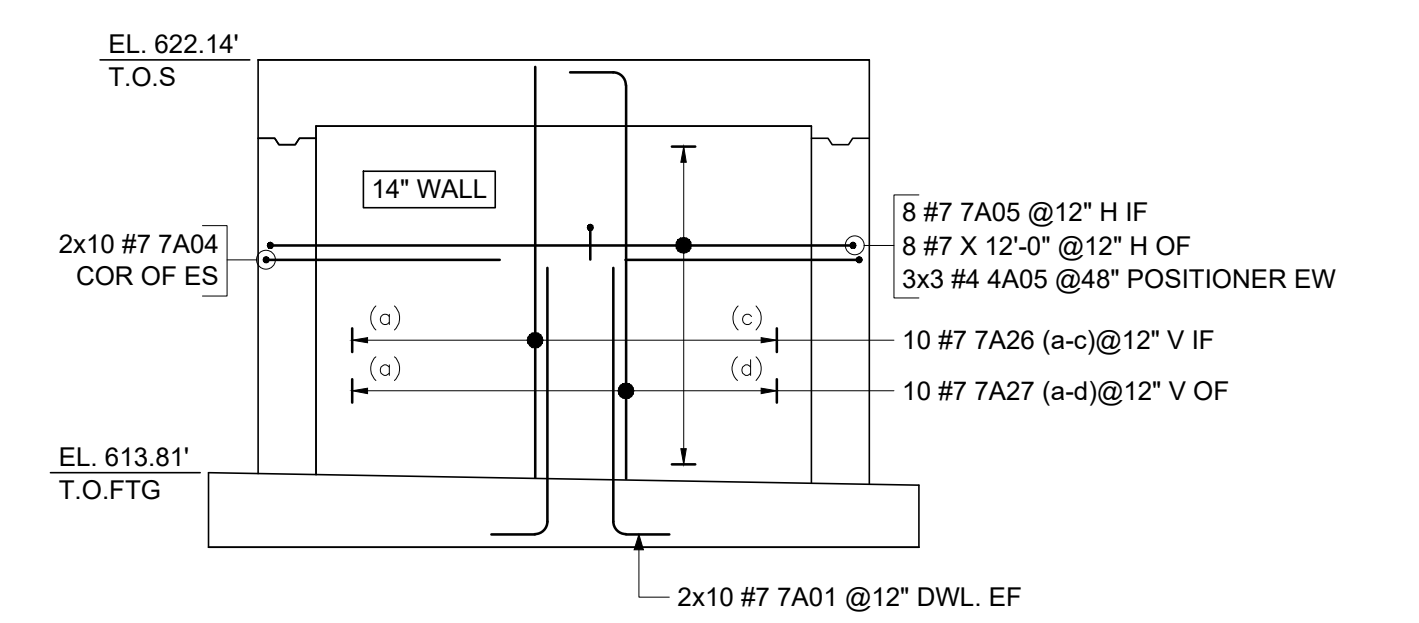
ALL BARS ARE ASTM A615 GRADE 60 BLACK



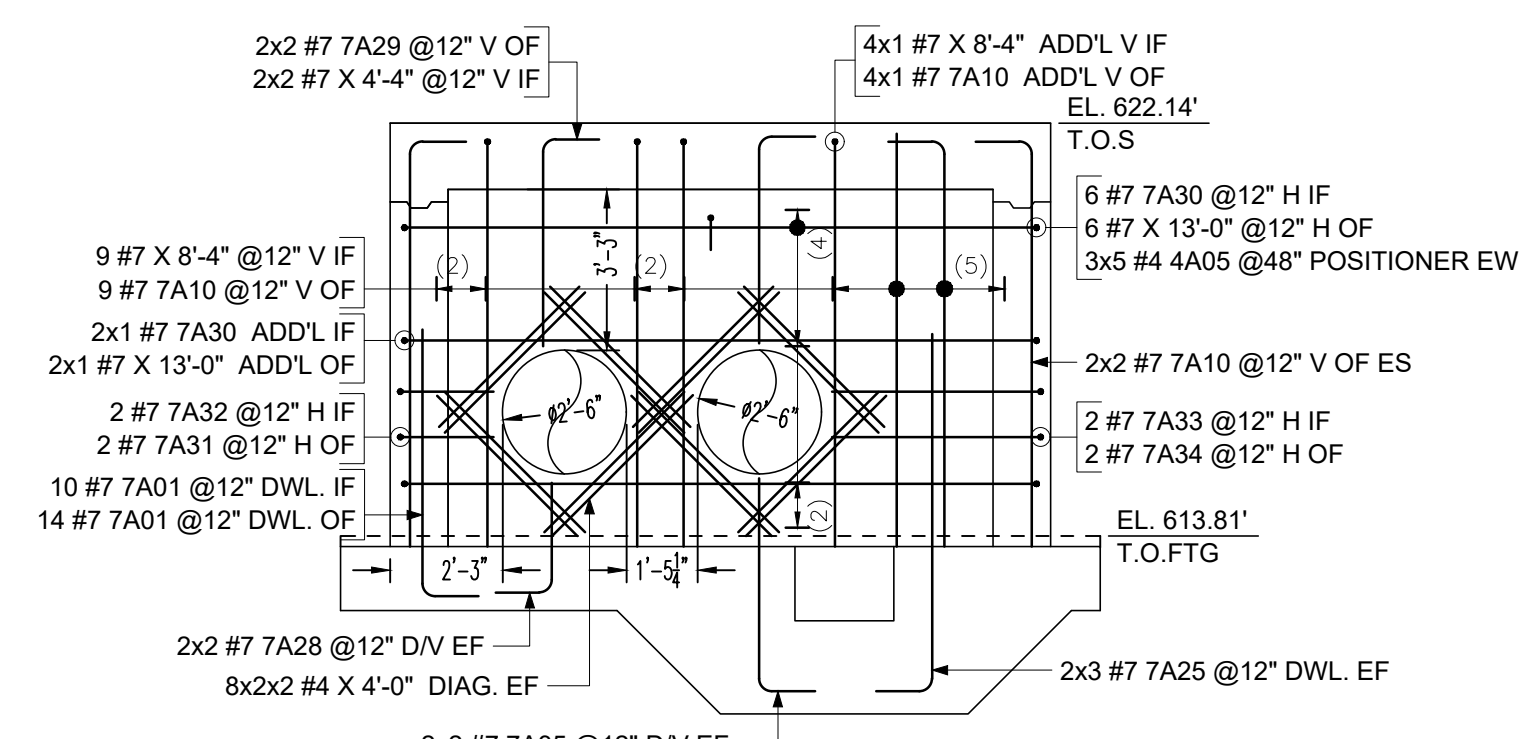
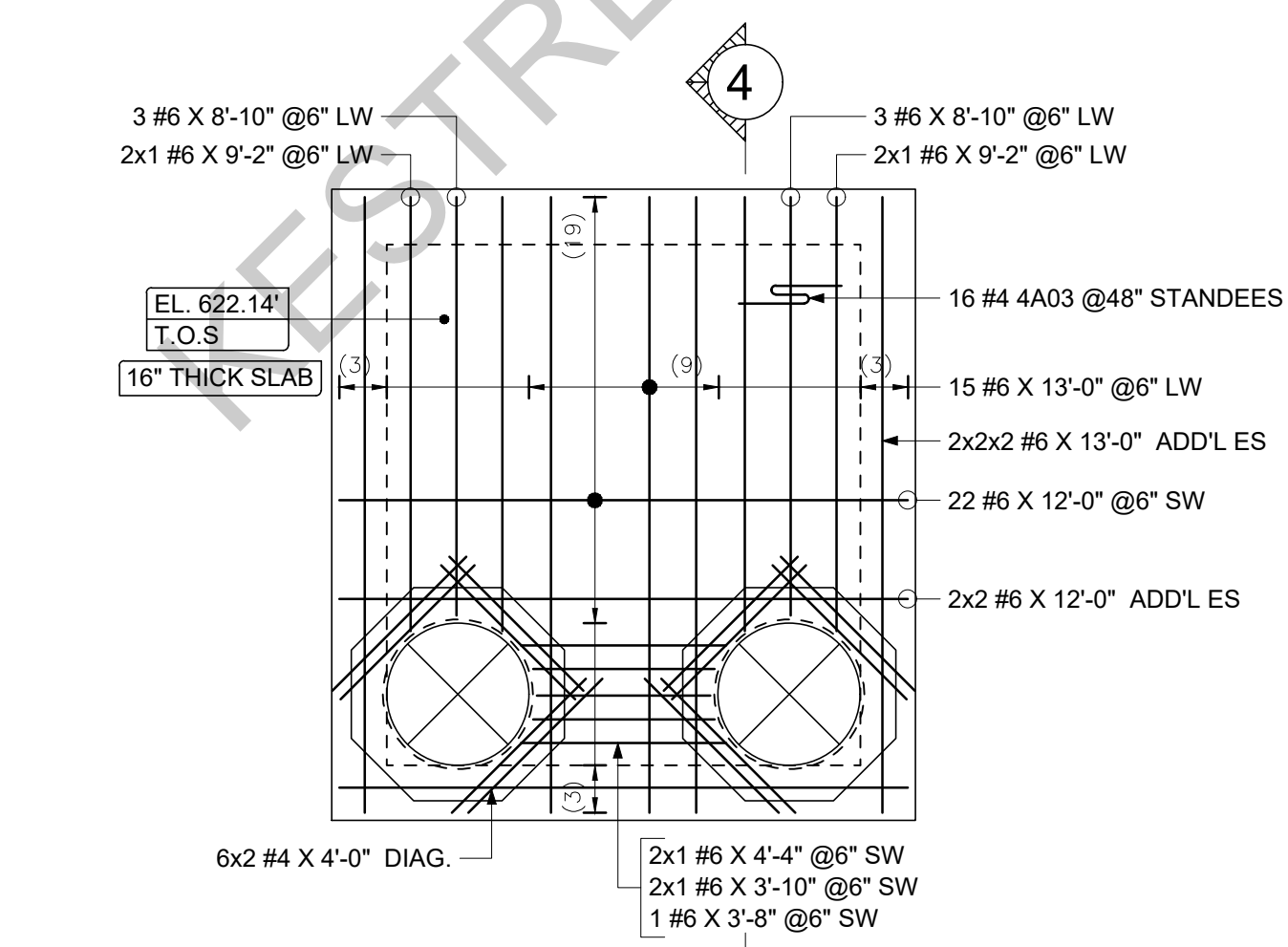
ELEVATION N
SCALE: 1/4" = 1'-0"
REF: S201



ELEVATION P
SCALE: 1/4" = 1'-0"
REF: S201

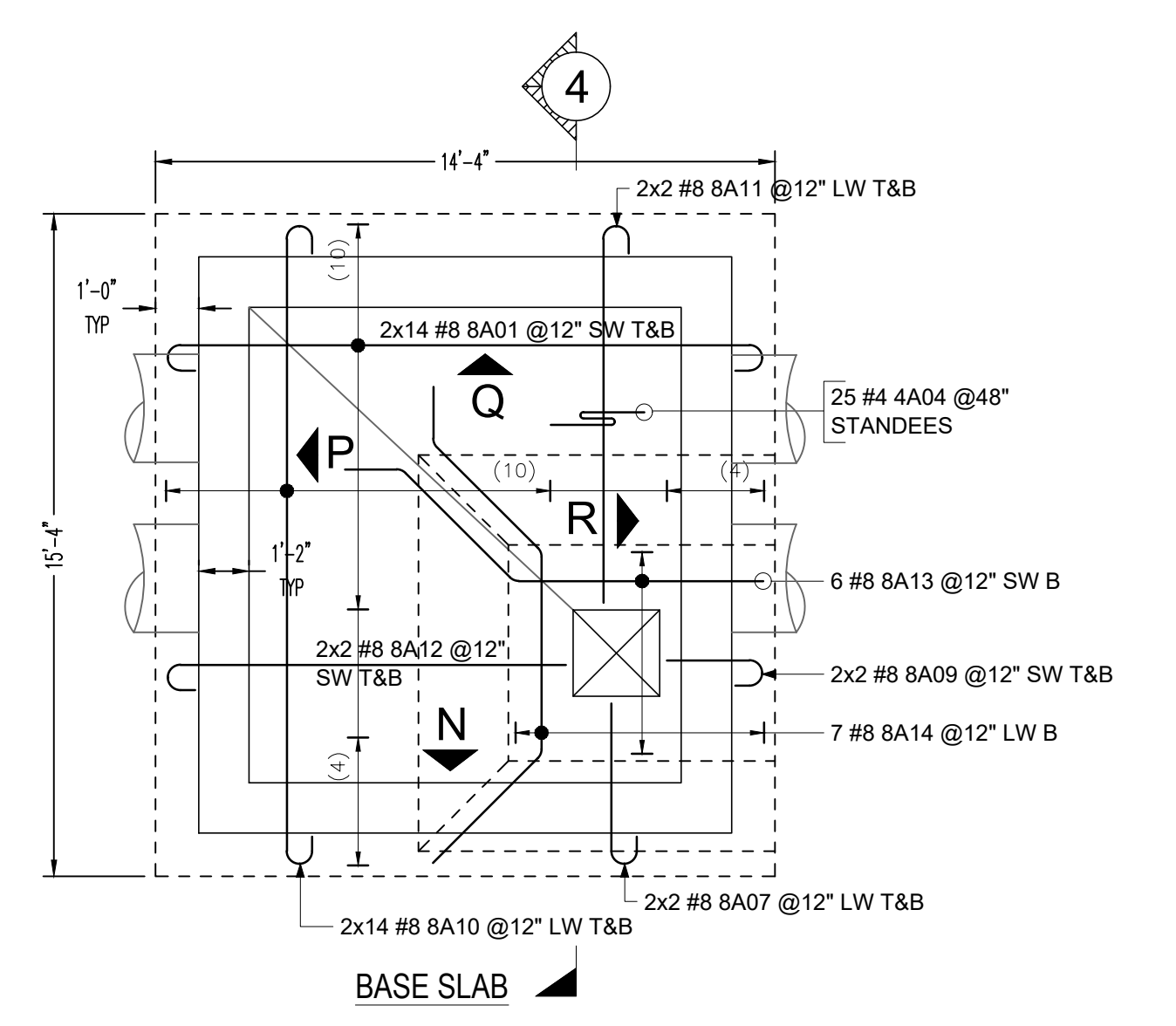
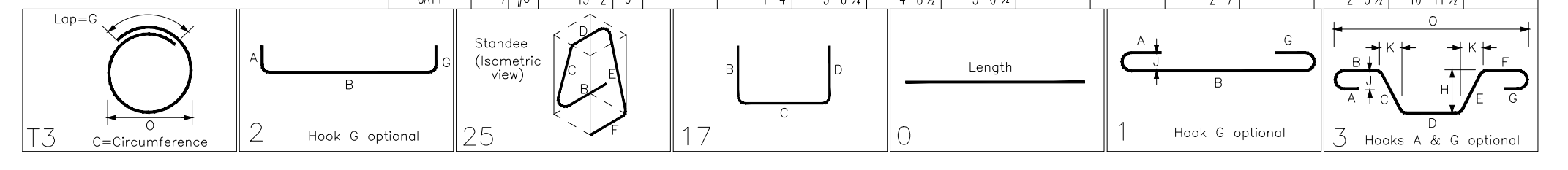


ELEVATION Q
SCALE: 1/4" = 1'-0"
REF: S201

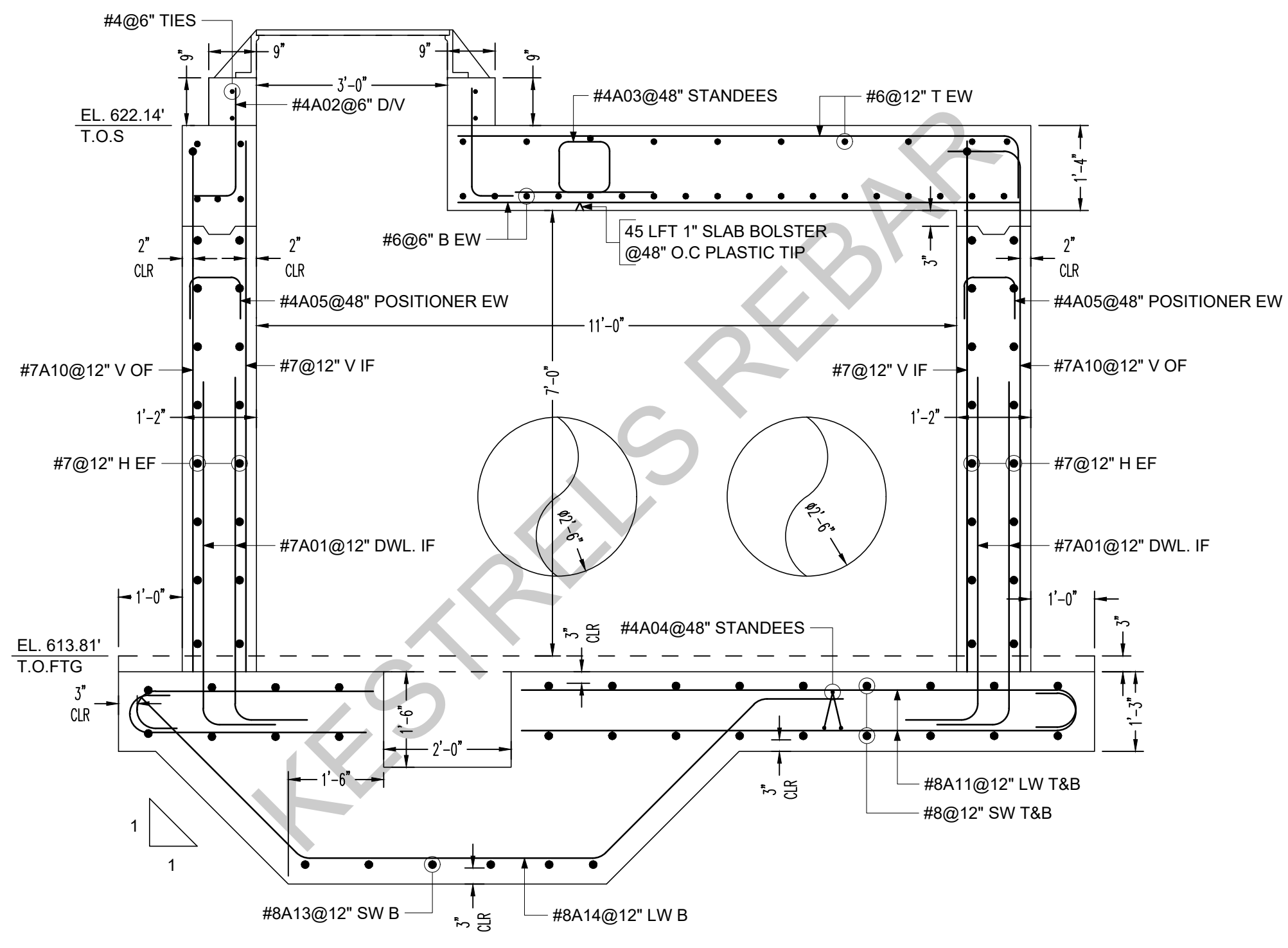


ELEVATION R
SCALE: 1/4" = 1'-0"
REF: S201

Drawing Sheet: R-DIC		BAR LIST															
Bar Mark	Qty	Size	Total Length	Type	X'	Y'	Z'	W'	V'	U'	T'	S'	R'	Q'	P'	O'	
4A01	4	#4	14'-1 1/2"	T3			12'-0 1/2"									3'-10"	
4A02	48	#4	2'-4 1/2"	2	0'-8"	1'-8 1/2"										2'-1"	
4A03	16	#4	5'-6 1/2"	25	1'-4"	0'-10 1/2"	0'-10"	0'-10 1/2"	1'-4"							0'-5"	
4A04	25	#4	5'-2 1/2"	25	1'-4"	0'-10 1/2"	0'-8"	0'-10"	0'-8"	1'-4"						0'-4"	
4A05	48	#4	2'-2 1/2"	2	0'-8"	0'-10"										0'-4"	
6A01	14	#6	14'-0"	2	1'-0"	12'-0"										1'-0"	
6A10	19	#6	15'-0"	2	1'-0"	13'-0"										1'-0"	
6A11	4	#6	9'-10"	2	1'-0"	8'-10"										1'-0"	
7A01	94	#7	6'-7"	2	1'-2"	5'-5"										5'-5"	
7A04	40	#7	9'-4"	17	4'-9"	4'-9"										4'-9"	
7A05	16	#7	14'-2"	2	1'-2"	11'-10"										1'-2"	
7A06	17	#7	9'-2 1/2"	2	1'-2"	8'-0 1/2"										8'-0 1/2"	
7A10	17	#7	9'-4 1/2"	2	1'-2"	8'-2 1/2"										8'-2 1/2"	
7A25	4	#7	8'-5"	2	1'-2"	4'-3"										4'-3"	
7A26a	8	#7	8'-2"	2	1'-2"	5'-2"										5'-2"	
Varies to																	
7A26c	4	#7	8'-3"	2	1'-2"	5'-3"										5'-3"	
7A27a	6	#7	9'-3"	2	1'-2"	6'-1"										6'-1"	
Varies to																	
7A27b	2	#7	9'-5"	2	1'-2"	6'-3"										6'-3"	
7A28	12	#7	3'-5"	2	1'-2"	2'-5"										2'-5"	
7A29	8	#7	5'-4 1/2"	2	1'-2"	4'-3 1/2"										4'-3 1/2"	
7A30	16	#7	15'-2"	2	1'-2"	12'-10"										1'-2"	
7A31	4	#7	6'-8"	17	1'-11"	4'-9"										1'-11"	
7A32	4	#7	3'-1"	2	1'-2"	1'-11"										1'-11"	
7A33	4	#7	5'-5"	2	1'-2"	4'-3"										4'-3"	
7A34	4	#7	9'-0 1/2"	17	4'-3 1/2"	4'-9"										4'-3 1/2"	
7A35	4	#7	3'-8"	2	1'-2"	4'-4"										4'-4"	
8A01	28	#8	15'-9"	1	0'-11"	13'-10"										0'-11"	
8A07	4	#8	4'-8"	1	0'-11"	3'-9"										0'-11"	
8A08	4	#8	3'-2"	1	0'-11"	2'-3"										0'-11"	
8A09	4	#8	3'-2"	1	0'-11"	2'-3"										0'-11"	
8A10	28	#8	16'-8"	1	0'-11"	14'-10"										0'-11"	
8A11	4	#8	9'-8"	1	0'-11"	8'-9"										0'-11"	
8A12	4	#8	10'-2"	1	0'-11"	9'-3"										0'-11"	
8A13	6	#8	10'-9 1/2"	3	1'-4"	3'-8"	5'-9 1/2"	4'-8 1/2"	5'-6 1/2"							2'-8"	
8A14	7	#8	15'-2"	3	1'-4"	3'-6 1/2"	4'-8 1/2"	5'-6 1/2"								2'-7"	
Varies to																	
8A14	7	#8	15'-2"	3	1'-4"	3'-6 1/2"	4'-8 1/2"	5'-6 1/2"								2'-6 1/2"	
Varies to																	
8A14	7	#8	15'-2"	3	1'-4"	3'-6 1/2"	4'-8 1/2"	5'-6 1/2"								10'-11 1/2"	



MANHOLE MH-S1-790 REINF. DETAILS
Scale - 1/4" = 1'-0"
REF: S201



SECTION 4
SCALE: 1/2" = 1'-0"
REF: S201

- ABBREVIATIONS**
- | | |
|----------------|------|
| TOP | T |
| BOTTOM | B |
| TOP&BOTTOM | T&B |
| ADDITIONAL | ADDL |
| CORNER BAR | COR |
| VERTICAL | V |
| HORIZONTAL | H |
| EACH WAY | EW |
| EACH FACE | EF |
| INNER FACE | IF |
| OUTER FACE | OF |
| EACH SIDE | ES |
| DOWEL | DWL |
| DOWEL/VERTICAL | D/V |
| LONG WAY BAR | LW |
| SHORT WAY BAR | SW |
- NOTES:-**
- TYPICAL CLEARANCES
 - FOOTING
 - A) TOP - 2"
 - B) SIDE - 3"
 - C) BOTTOM - 3"
 - WALL
 - D) SIDE - 2"
 - E) END - 2"
 - ROOF SLAB
 - F) TOP - 2"
 - C) BOTTOM - 1"
 - TILT HOOK TO ACCOMMODATE THE COVER, IF NEED
 - PROVIDE FIELD CUT AS REQUIRED LOCATIONS
 - BAR TO BE PLACED AT EQUAL SPACING U.O.N.
 - A/E/C PLEASE VERIFY THE ALL CLOUDED ITEMS

ALL BARS ARE ASTM A615 GRADE 60 BLACK